

# CorePro LEDspot MV

CorePro LEDspotMV 3.5-35W GU10 827 36D



CorePro LEDspots are a perfect fit for spot lighting and deliver warm halogen-like light. They are compatible with most existing fixtures with a GU10 or E14 holder and are designed as a retrofit replacement for halogen or incandescent spots. LED lamps deliver huge energy savings and minimize maintenance cost.

## Product data

### • General Characteristics

|                        |                   |
|------------------------|-------------------|
| Cap-Base               | GU10              |
| Bulb                   | PAR16 [PAR 2inch] |
| Rated Lifetime (hours) | 15000 hr          |
| Nominal Lifetime hours | 15000 hr          |

### • Light Technical Characteristics

|                              |                    |
|------------------------------|--------------------|
| Color Code                   | 827                |
| Color Designation (text)     | Warm White         |
| Beam Angle                   | 36 D               |
| Beam Description             | 36D [Medium beam]  |
| Correlated Color Temperature | 2700 K             |
| Luminous Flux                | 270 Lm             |
| Luminous Intensity           | 680 cd             |
| Color rendering index        | 80                 |
| Luminous Efficacy Lamp       | 77.14 Lm/W         |
| Color Temperature            | 2700 K [CCT 2700K] |
| Rated Luminous Flux          | 270 Lm             |
| LLMF - end nominal lifetime  | 70 %               |
| Colour consistency           | 6 steps            |
| Rated Beam Angle             | 36 D               |
| Luminous flux in 90° cone    | 240 Lm             |

### • Electrical Characteristics

|                |           |
|----------------|-----------|
| Wattage        | 3.5 W     |
| Voltage        | 220-240 V |
| Line Frequency | 50 Hz     |

|                                |                    |
|--------------------------------|--------------------|
| Power Factor                   | 0.4 -              |
| Lamp Current mA                | 35 mA              |
| Dimmable                       | No                 |
| Wattage Equivalent             | 35 W               |
| Rated Wattage                  | 3.5 W              |
| Starting Time                  | 0.5 (max) s        |
| Warm-up Time to 60% Light Outp | instant full light |
| Suitable for accent lighting   | Yes                |

### • Temperature Characteristics

|                |      |
|----------------|------|
| T-case maximum | 75 C |
|----------------|------|

### • Environmental characteristics

|                               |       |
|-------------------------------|-------|
| Energy Efficiency Label (EEL) | A+    |
| Energy consumption kWh/1000h  | 4 kWh |

### • Measuring Conditions

|                 |        |
|-----------------|--------|
| Switching cycle | 50000X |
|-----------------|--------|

### • Product Dimensions

|                  |       |
|------------------|-------|
| Overall Length C | 55 mm |
| Diameter D       | 50 mm |

### • Product Data

|                   |  |
|-------------------|--|
| Order code        | 929001122002                           |
| Full product code | 929001122002                           |
| Full product name | CorePro LEDspotMV 3.5-35W GU10 827 36D |



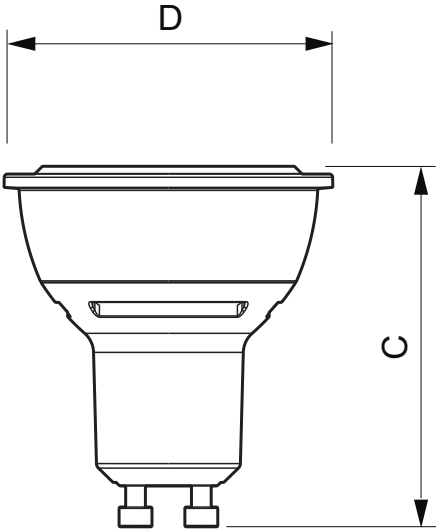
# PHILIPS

# CorePro LEDspot MV

Order product name CorePro LEDspotMV 3.5-35W GU10  
827 36D  
Pieces per pack 1  
Packing configuration 10  
Packs per outerbox 10  
Bar code on pack - EAN1 8718291799160

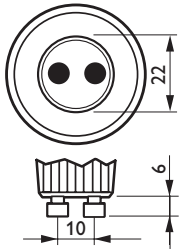
Bar code on outerbox - EAN3 8718291799177  
Logistic code(s) - 12NC 929001122002  
Net weight per piece 0.038 kg

## Dimensional drawing



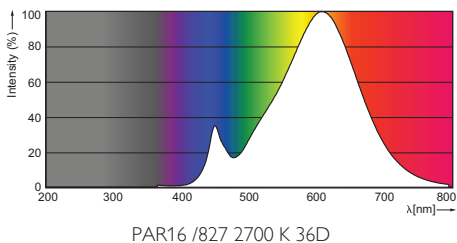
## CorePro LEDspotMV 3.5-35W GU10 827 36D

| Product                  | C (Norm) | C1 (Max) | D (Norm) | D1 (Norm) |
|--------------------------|----------|----------|----------|-----------|
| LED 3.5-35W GU10 827 36D | 55       | -        | 50       | -         |



GU10

## Photometric data



© 2015 Koninklijke Philips N.V. (Royal Philips)  
All rights reserved.

Specifications are subject to change without notice. Trademarks are the property of Koninklijke Philips N.V. (Royal Philips) or their respective owners.

[www.philips.com/lighting](http://www.philips.com/lighting)

2015, August 2  
data subject to change