



CorePro LEDspot MV

CorePro LEDspotMV 4.5-50W GU10 827 36D

CorePro LEDspots are a perfect fit for spot lighting and deliver warm halogen-like light. They are compatible with most existing fixtures with a GU10 or E14 holder and are designed as a retrofit replacement for halogen or incandescent spots. LEDlamps deliver huge energy savings and minimize maintenance cost.

Product data

• General Characteristics

Cap-Base	GU10
Bulb	PAR16 [PAR 2inch]
Rated Lifetime (hours)	15000 hr
Nominal Lifetime hours	15000 hr

• Light Technical Characteristics

Color Code	827
Color Designation (text)	Warm White
Beam Angle	36 D
Beam Description	36D [Medium beam]
Correlated Color Temperature	2700 K
Luminous Flux	380 Lm
Luminous Intensity	950 cd
Color rendering index	80
Luminous Efficacy Lamp	84.44 Lm/W
Color Temperature	2700 K [CCT 2700K]
Rated Luminous Flux	380 Lm
LLMF - end nominal lifetime	70 %
Colour consistency	6 steps
Rated Beam Angle	36 D
Luminous flux in 90° cone	345 Lm

• Electrical Characteristics

Wattage	4.5 W
Voltage	220-240 V
Line Frequency	50 Hz

Power Factor	0.4 -
Lamp Current mA	45 mA
Dimmable	No
Wattage Equivalent	50 W
Rated Wattage	4.5 W
Starting Time	0.5 (max) s
Warm-up Time to 60% Light Outp	instant full light
Suitable for accent lighting	Yes

• Temperature Characteristics

T-case maximum	75 C
----------------	------

• Environmental characteristics

Energy Efficiency Label (EEL)	A+
Energy consumption kWh/1000h	5 kWh

• Measuring Conditions

Switching cycle	50000X
-----------------	--------

• Product Dimensions

Overall Length C	55 mm
Diameter D	50 mm

• Product Data

Order code	929001122202
Full product code	929001122202
Full product name	CorePro LEDspotMV 4.5-50W GU10 827 36D



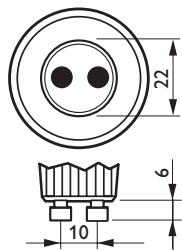
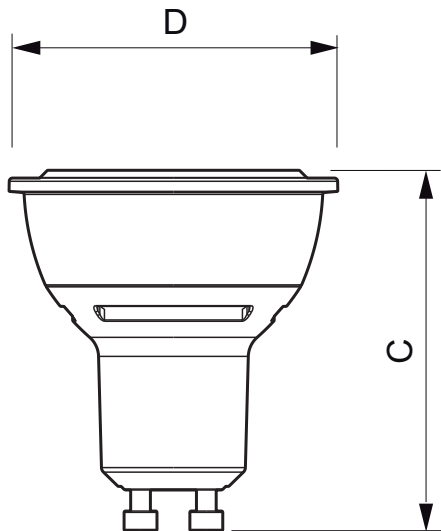
PHILIPS

CorePro LEDspot MV

Order product name CorePro LEDspotMV 4.5-50W GU10
827 36D
Pieces per pack 1
Packing configuration 10
Packs per outerbox 10
Bar code on pack - EAN1 8718291799207

Bar code on outerbox - EAN3 8718291799214
Logistic code(s) - 12NC 929001122202
Net weight per piece 0.038 kg

Dimensional drawing



GU10

CorePro LEDspotMV 4.5-50W GU10 827 36D

Product	C (Norm)	C1 (Max)	D (Norm)	D1 (Norm)
LED 4.5-50W GU10 827 36D	55	-	50	-



© 2015 Koninklijke Philips N.V. (Royal Philips)
All rights reserved.

Specifications are subject to change without notice. Trademarks are the property of Koninklijke Philips N.V. (Royal Philips) or their respective owners.

www.philips.com/lighting

2015, August 2
data subject to change