
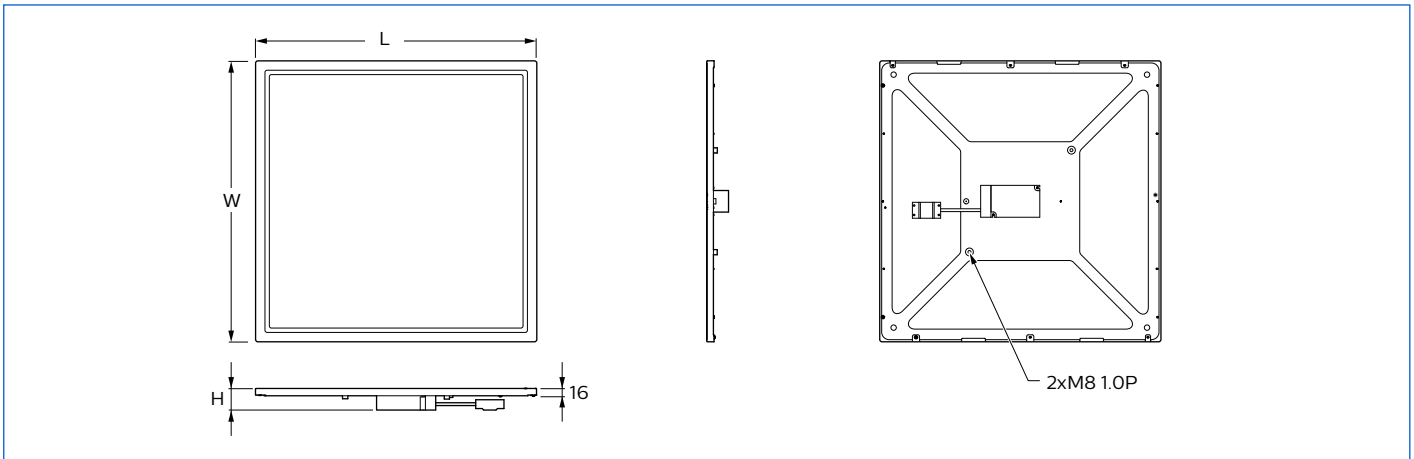


CoreLine Panel RCI25B/126B

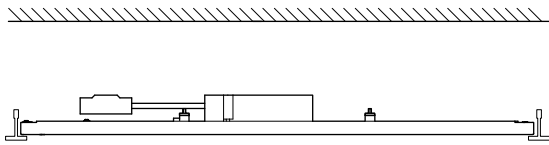


Geometry	Driver	Dimension (LxWxH)	Lumen	CCT	
Square	PSU	597x597x46	3400 lm	3000K 4000k	4.1
Square	PSU	622x622x46	3400 lm	4000K 3000K	4.3

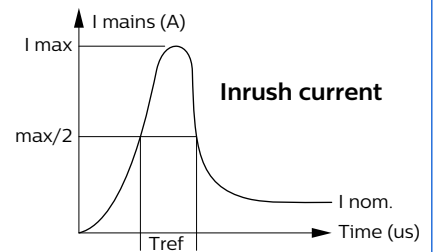


1. Please do not remove the protect film before installing to avoid scraping or dirtying the optical part.
2. The luminaire shall be installed by a qualified electrician and wired in accordance with the latest IEE electrical regulations or the national requirements.
3. The luminaire shall, under no circumstance, be covered with thermal insulation matting or similar material.
4. When cleaning the product, please use dry soft cottoncloth only.
5. Indoor use only.

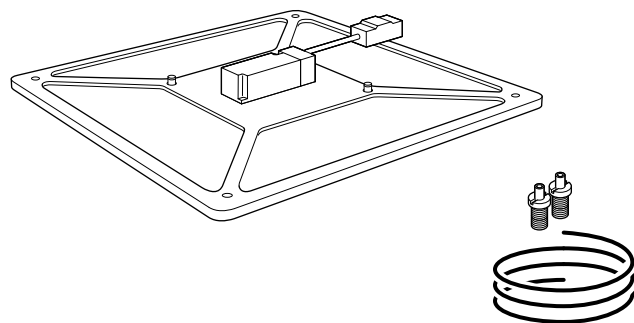
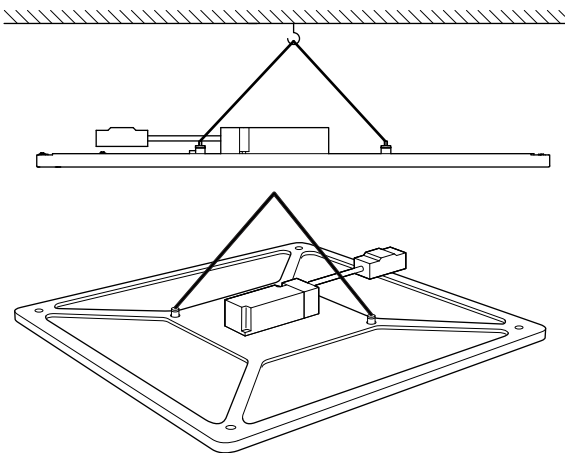
A Recessed mounting

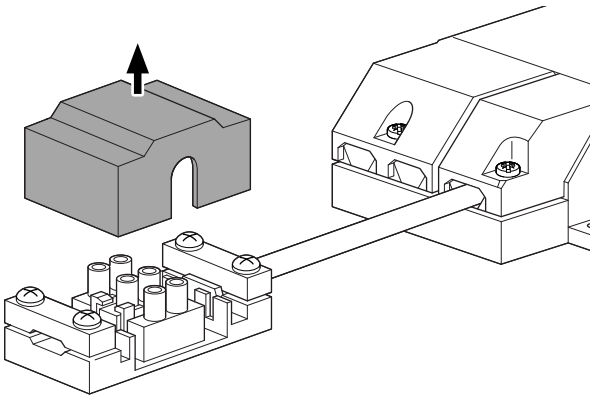


PSU	
Electrical Characteristics	
I _{max} (A)	6
T _{ref} (μs)	55
MCB	No. of driver max.
16A-B	40

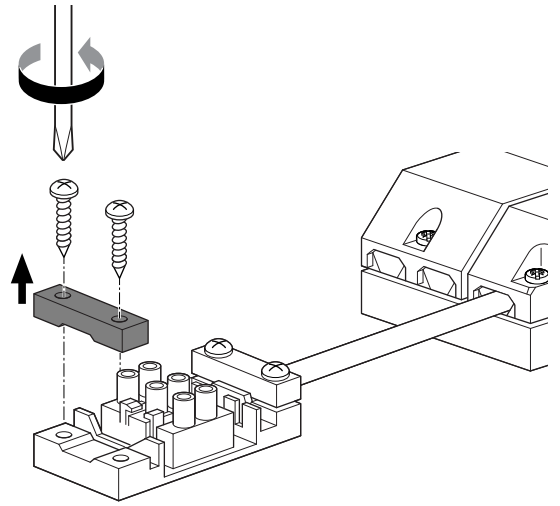


Safety cable

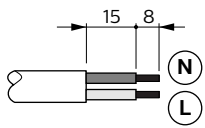




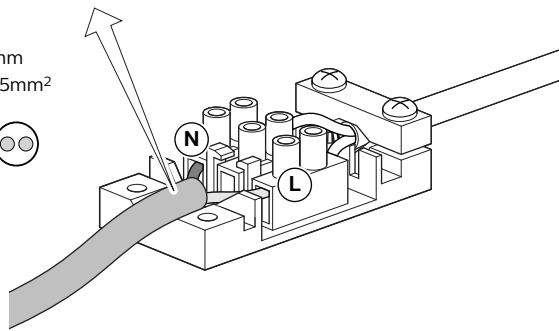
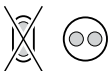
1



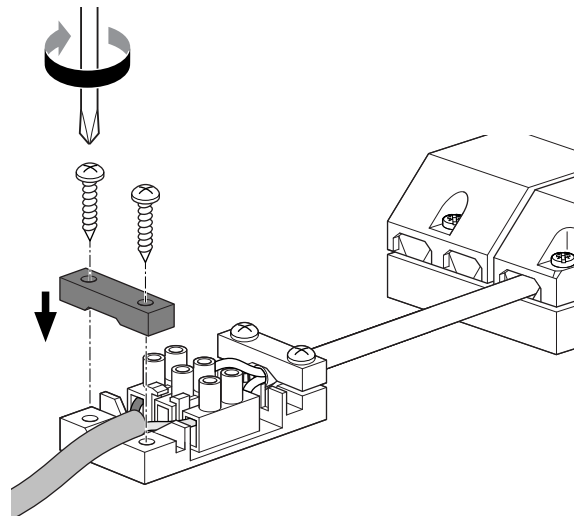
2



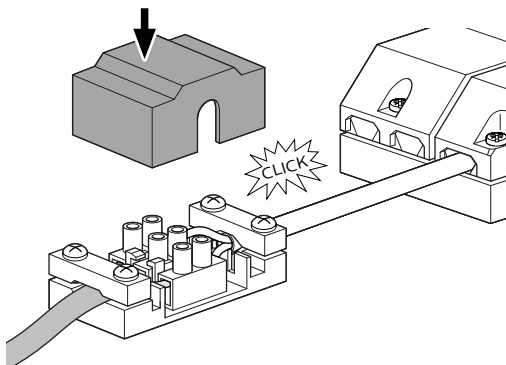
Ø6-8mm
2x0.75-1.5mm²



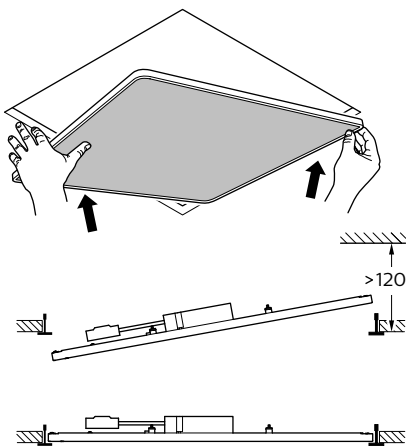
3



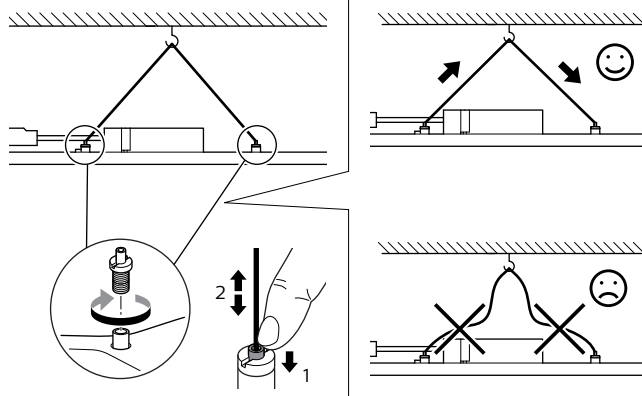
4



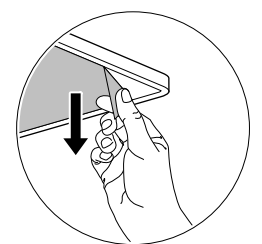
5



6



7



8