

CoreLine Surface-mounted

SM120V LED37S/840 PSU W20L120



SM120V - LED Module, system flux 3700 lm - Power supply unit

Whether for a new building or renovation of an existing space, customers want lighting solutions that provide quality of light and substantial energy and maintenance savings. The new CoreLine Surface-mounted range of LED products can be used to replace functional luminaires in general lighting applications. The process of selecting, installing and maintaining is so easy – it's a simple switch.

Product data

• General information

Product family code	SM120V [SM120V]
Number of light sources	2 [2 pcs]
Lamp family code	LED37S [LED Module, system flux 3700 lm]
Light source color	840 [840 neutral white]
Light source replaceable	false [No]
Driver/power unit/transformer	PSU [Power supply unit]
Driver included	true [Yes]
Dimmable	No [No]
Connection	PIP [Push-in connector and pull relief]
Cable	No [-]
Protection class IEC	CLI [Safety class I]
Ingress protection code	IP20 [Finger-protected]
Mech. impact protection code	IK02 [0.2 J standard]
Color	WH [White]
Glow-wire test	850/30 [Temperature 850 °C, duration 30 s]
Flammability mark	F [For mounting on normally flammable surfaces]
Safety device	No [-]
CE mark	CE [CE mark]
ENEC mark	No [-]
UL mark	No [-]

• Electrical

Input voltage	220-240 V [220 to 240 V]
Input frequency	50-60 Hz [50 to 60 Hz]

• Mechanical

Geometry	W20L120 [Width 0.20 m, length 1.20 m]
Housing material	STL [Steel]
Reflector material	STL [Steel]
Optical cover/lens material	PC [Polycarbonate]

• Initial perform. (IEC compliant)

Initial input power	40.5 W [40.5 W]
Initial luminous flux	3700 Lm
Initial LED luminaire efficacy	91 Lm/W
Init. Corr. Color Temperature	4000 [4000 K]
Init. Color Rendering Index	≥80 [≥80]
Initial chromaticity	(0.38, 0.38) SDCM <3.5

• Over time perform. (IEC compliant)

Median useful life L90B50	15000 hr
Median useful life L80B50	30000 hr
Median useful life L70B50	50000 hr
Driver failure rate at 5000 h	1 %

• Application conditions

Average ambient temperature	T25 [+25 °C]
Ambient temperature range	+10 to +40°C [+10 to +40 °C]

PHILIPS

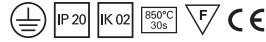
CoreLine Surface-mounted

Maximum dim level - [Not applicable]
Suitable for random switching Yes [Yes (relates to presence/movement detection and daylight harvesting)]

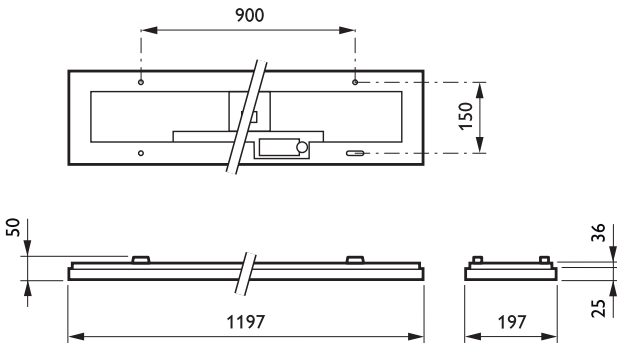
Pieces per pack 0
Packs per outerbox 1
Bar code on outerbox - EAN3 8717943897612
Logistic code(s) - 12NC 910503695718
Net weight per piece 3.400 kg

• Product Data

Order code 910503695718
Full product code 910503695718
Full product name SM120V LED37S/840 PSU W20L120
Order product name SM120V LED37S/840 PSU W20L120



Dimensional drawing



SM120V LED37S/840 PSU W20L120



© 2015 Koninklijke Philips N.V. (Royal Philips)
All rights reserved.

Specifications are subject to change without notice. Trademarks are the property of Koninklijke Philips N.V. (Royal Philips) or their respective owners.

www.philips.com/lighting

2015, October 5
data subject to change