

CoreLine Surface-mounted

SM120V LED34S/840 PSD W20L120 VAR-PC



SM120V - LED Module, system flux 3400 lm - Power supply unit with DALI interface - Variable linear-lens array in polycarbonate cover

Whether for a new building or renovation of an existing space, customers want lighting solutions that provide quality of light and substantial energy and maintenance savings. The new CoreLine Surface-mounted range of LED products can be used to replace functional luminaires in general lighting applications. The process of selecting, installing and maintaining is so easy – it's a simple switch.

Product data

• General information

Product family code	SM120V [SM120V]
Number of light sources	2 [2 pcs]
Lamp family code	LED34S [LED Module, system flux 3400 lm]
Light source color	840 [840 neutral white]
Light source replaceable	false [No]
Driver/power unit/transformer	PSD [Power supply unit with DALI interface]
Driver included	true [Yes]
Optical cover/lens type	VAR-PC [Variable linear-lens array in polycarbonate cover]
Emergency lighting	No [-]
Dimmable	Yes [Yes]
Connection	PIP [Push-in connector and pull relief]
Cable	No [-]
Protection class IEC	CLI [Safety class I]
Ingress protection code	IP20 [Finger-protected]
Mech. impact protection code	IK02 [0.2 J standard]
Color	WH [White]
Glow-wire test	850/30 [Temperature 850 °C, duration 30 s]
Flammability mark	F [For mounting on normally flammable surfaces]
Safety device	No [-]
CE mark	CE [CE mark]
ENEC mark	ENEC [ENEC mark]
UL mark	No [-]

• Light technical

Luminous flux tolerance	+/-10% [+/-10%]
-------------------------	------------------

• Electrical

Input voltage	220-240 V [220 to 240 V]
Input frequency	50-60 Hz [50 to 60 Hz]

• Mechanical

Geometry	W20L120 [Width 0.20 m, length 1.20 m]
Housing material	STL [Steel]
Reflector material	STL [Steel]
Optical cover/lens material	PC [Polycarbonate]

• Initial perform. (IEC compliant)

Initial input power	31 W [31 W]
Initial luminous flux	3400 Lm
Initial LED luminaire efficacy	110 Lm/W
Init. Corr. Color Temperature	4000 [4000 K]
Init. Color Rendering Index	≥80 [≥80]
Initial chromaticity	(0.38, 0.38) SDCM <3.5

• Over time perform. (IEC compliant)

Median useful life L90B50	15000 hr
Median useful life L80B50	30000 hr
Median useful life L70B50	50000 hr
Driver failure rate at 5000 h	1 %



PHILIPS

CoreLine Surface-mounted

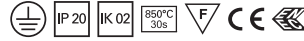
• Application conditions

Average ambient temperature	T25 [+25 °C]
Ambient temperature range	+10 to +40°C [+10 to +40 °C]
Maximum dim level	1% [1%]
Suitable for random switching	Yes [Yes (relates to presence/movement detection and daylight harvesting)]

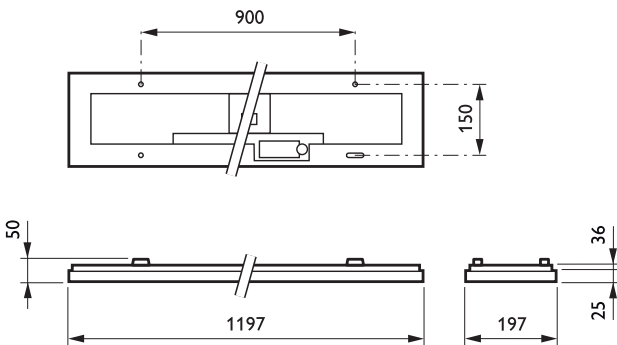
• Product Data

Order code	910501996703
Full product code	910501996703

Full product name	SM120V LED34S/840 PSD W20L120 VAR-PC
Order product name	SM120V LED34S/840 PSD W20L120 VAR-PC
Pieces per pack	0
Packs per outerbox	1
Bar code on outerbox - EAN3	8718291266549
Logistic code(s) - 12NC	910501996703
Net weight per piece	3.100 kg



Dimensional drawing



SM120V LED34S/840 PSD W20L120 VAR-PC



© 2015 Koninklijke Philips N.V. (Royal Philips)
All rights reserved.

Specifications are subject to change without notice. Trademarks are the property of Koninklijke Philips N.V. (Royal Philips) or their respective owners.

www.philips.com/lighting

2015, October 10
data subject to change