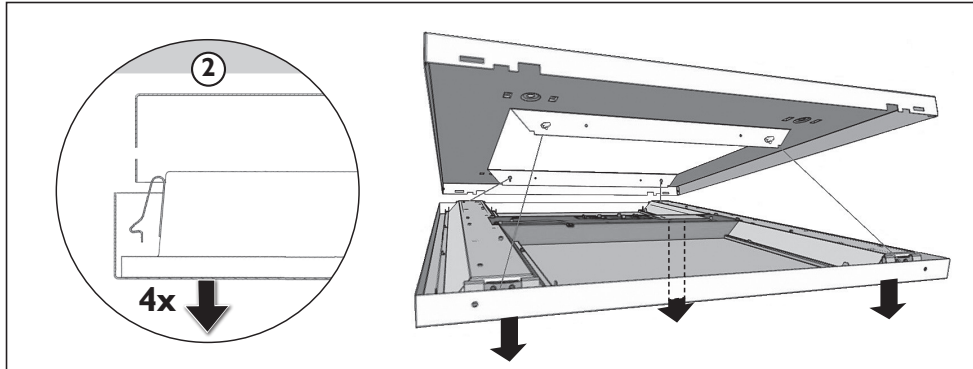
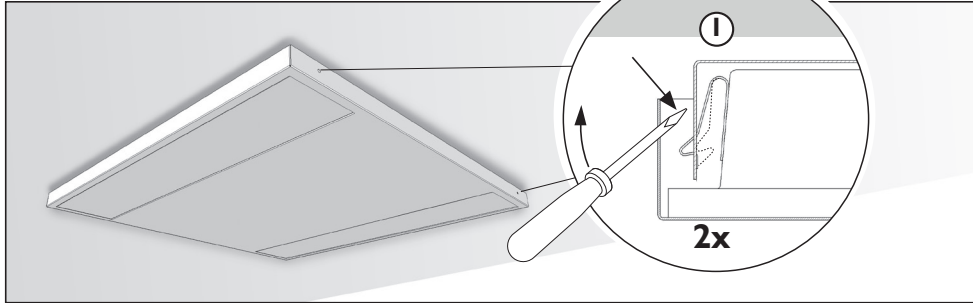


I2NC 4427 101 13002
Version Date: 2013/08/29
Data subject to change without notice
Printed in Poland
www.philips.com/lighting

Service



Maintenance instructions

To assure the lighting quality of this unique LED lighting concept there are a few instructions regarding the maintenance of this LED luminaire:

- Do not touch electronic components!
Electronic components are under high voltage.
Electronic components are ESD sensitive.
- During installation or when maintaining the luminaire please use static free gloves to avoid marks on the luminaire.
- To remove dirt and spots use the following:
 - o Dust: only use micro fiber cloths
 - o Fingerprints, etc.: use a cleaner for synthetic materials with antistatic properties.
- Do not stare into the LED light beam.
- To avoid scratches and dirt on optical parts remove protective foil after installation.
- The luminaire shall be installed by a qualified electrician and wired in accordance with the latest IEE electrical regulations or the national requirements.



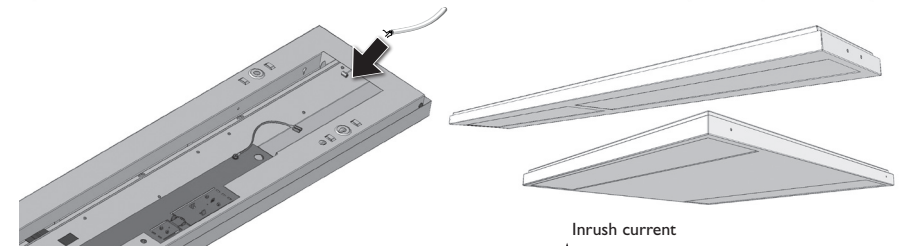
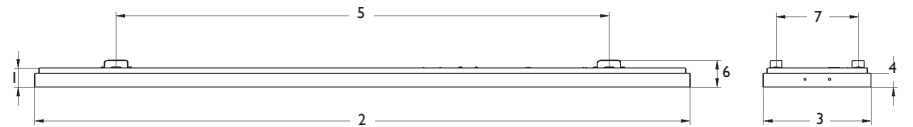
CoreLine SM120V Surface-mounted

Installation instructions

Instructions de montage Instrucciones de montaje Kokoonpano- ja kiinnitysohjeet Szerelési utasítások
Montageanleitung Instruções de montagem Montaj yönergəsi Návod k montáži
Montage instructie Monteringsinstruktioner Οδηγίες συναρμολόγησης ИНСТРУКЦИЯ ПО МОНТАЖУ
Istruzioni di montaggio Monteringsvejledning Instrukcja montazu Návod k montáži

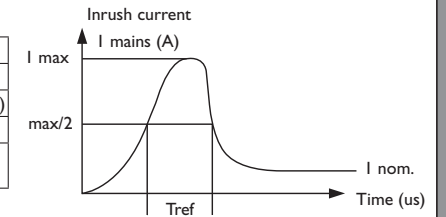


Type	Dimension (mm)							kg
	1	2	3	4	5	6	7	
SM120V W60L60	36	597	597	25	380	50	380	3.9
SM120V W20L120	36	1197	197	25	900	50	150	3.4

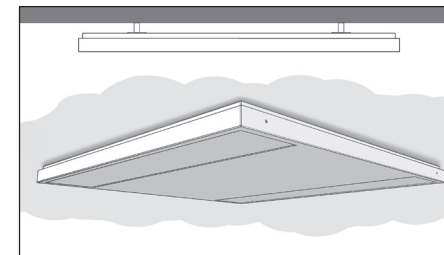


Inrush current peak	22 A (max)
Mains current pulse time half peak	1 ms
Earth leakage current	0.7 mA (max)
Number of drivers on one MCB (16A type-B)*	24 (max)
Number of drivers connected to one 30 mA residual current detector*	24 (max)

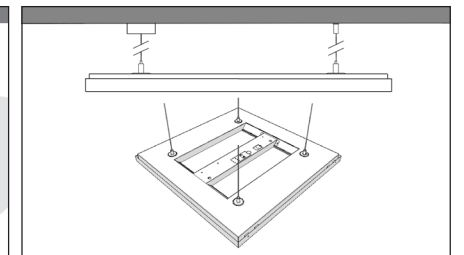
*verify per installation



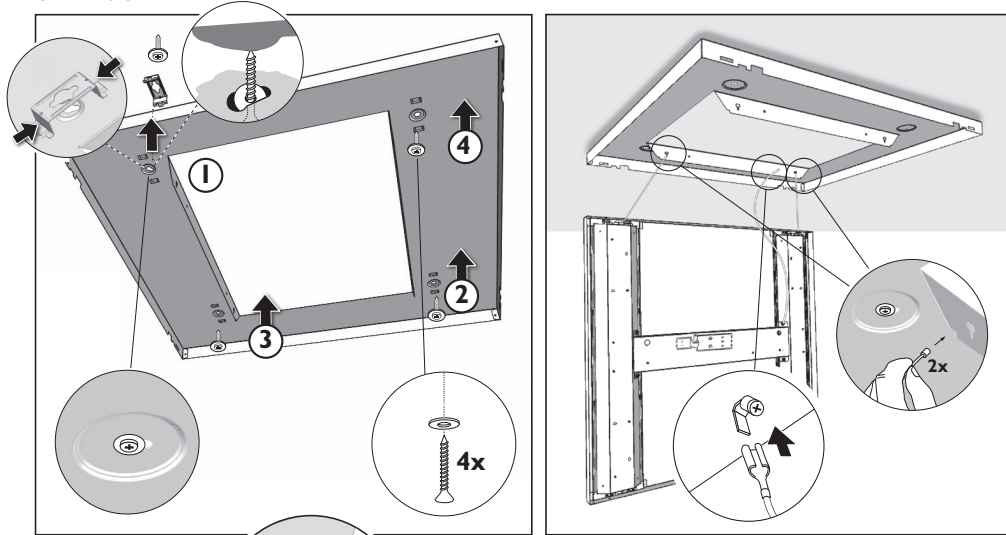
SM120V



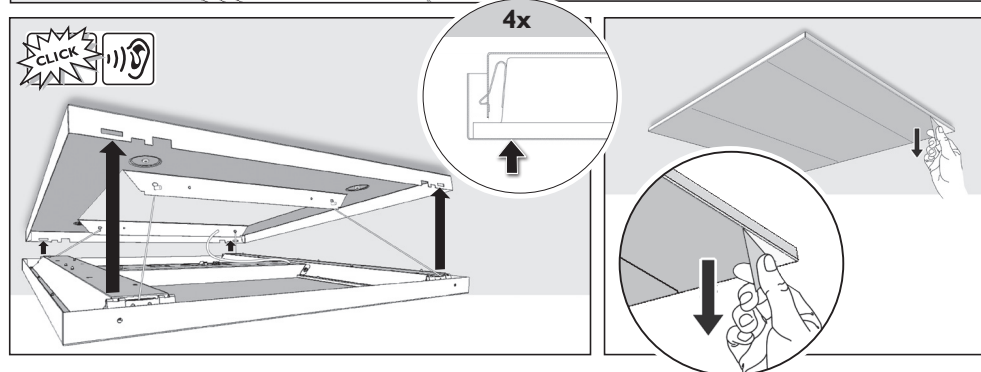
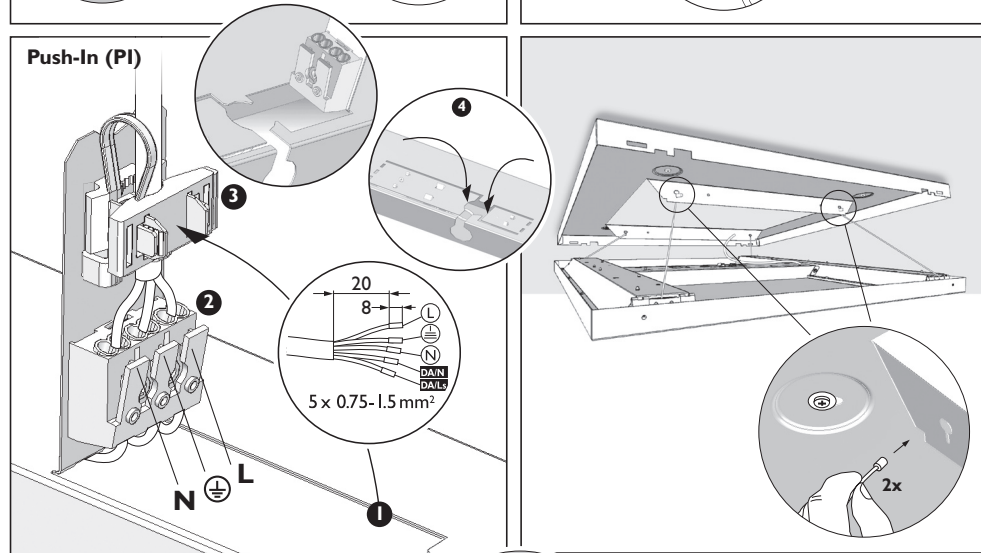
SM120V + SM120Z SME-3/SME-5



SMI20V



Push-In (PI)



SMI20V + SMI20Z SME-3/SME-5

