

# CoreLine Surface-mounted

## SM120V LED34S/840 PSD W60L60 VAR-PC



SM120V - LED Module, system flux 3400 lm - Power supply unit with DALI interface - Variable linear-lens array in polycarbonate cover

Whether for a new building or renovation of an existing space, customers want lighting solutions that provide quality of light and substantial energy and maintenance savings. The new CoreLine Surface-mounted range of LED products can be used to replace functional luminaires in general lighting applications. The process of selecting, installing and maintaining is so easy – it's a simple switch.

### Product data

#### • General information

Product family code	SM120V [SM120V]
Number of light sources	2 [2 pcs]
Lamp family code	LED34S [LED Module, system flux 3400 lm]
Light source color	840 [840 neutral white]
Light source replaceable	false [No]
Driver/power unit/transformer	PSD [Power supply unit with DALI interface]
Driver included	true [Yes]
Optical cover/lens type	VAR-PC [Variable linear-lens array in polycarbonate cover]
Emergency lighting	No [-]
Dimmable	Yes [Yes]
Connection	PIP [Push-in connector and pull relief]
Cable	No [-]
Protection class IEC	CLI [Safety class I]
Ingress protection code	IP20 [Finger-protected]
Mech. impact protection code	IK02 [0.2 J standard]
Color	WH [White]
Glow-wire test	850/30 [Temperature 850 °C, duration 30 s]
Flammability mark	F [For mounting on normally flammable surfaces]
Safety device	No [-]
CE mark	CE [CE mark]
ENEC mark	ENEC [ENEC mark]
UL mark	No [-]

#### • Light technical

Luminous flux tolerance	+/-10% [ +/-10%]
-------------------------	------------------

#### • Electrical

Input voltage	220-240 V [220 to 240 V]
Input frequency	50-60 Hz [50 to 60 Hz]

#### • Mechanical

Geometry	W60L60 [Width 0.60 m, length 0.60 m]
Housing material	STL [Steel]
Reflector material	STL [Steel]
Optical cover/lens material	PC [Polycarbonate]

#### • Initial perform. (IEC compliant)

Initial input power	31 W [31 W]
Initial luminous flux	3400 Lm
Initial LED luminaire efficacy	110 Lm/W
Init. Corr. Color Temperature	4000 [4000 K]
Init. Color Rendering Index	≥80 [≥80]
Initial chromaticity	(0.38, 0.38) SDCM <3.5

#### • Over time perform. (IEC compliant)

Median useful life L90B50	15000 hr
Median useful life L80B50	30000 hr
Median useful life L70B50	50000 hr
Driver failure rate at 5000 h	1 %



# PHILIPS

## CoreLine Surface-mounted

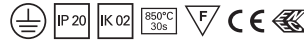
### • Application conditions

Average ambient temperature	T25 [+25 °C]
Ambient temperature range	+10 to +40°C [+10 to +40 °C]
Maximum dim level	1% [1%]
Suitable for random switching	Yes [Yes (relates to presence/movement detection and daylight harvesting)]

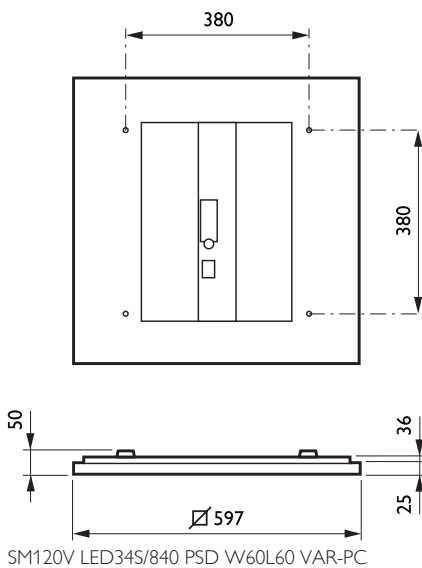
### • Product Data

Order code	910501996503
Full product code	910501996503

Full product name	SM120V LED34S/840 PSD W60L60 VAR-PC
Order product name	SM120V LED34S/840 PSD W60L60 VAR-PC
Pieces per pack	0
Packs per outerbox	1
Bar code on outerbox - EAN3	8718291266525
Logistic code(s) - 12NC	910501996503
Net weight per piece	3.700 kg



### Dimensional drawing



© 2015 Koninklijke Philips N.V. (Royal Philips)  
All rights reserved.

Specifications are subject to change without notice. Trademarks are the property of Koninklijke Philips N.V. (Royal Philips) or their respective owners.

[www.philips.com/lighting](http://www.philips.com/lighting)

2015, October 10  
data subject to change