

CoreLine Batten

BN121C LED19S/830 PSU L600



BN121C - LED Module, system flux 1900 lm - Power supply unit

Whether for a new building or renovation of an existing space, customers want lighting solutions that provide quality of light and substantial energy and maintenance savings. The new CoreLine Batten range of LED products can be used to replace traditional battens with fluorescent lamps. The process of selecting, installing and maintaining is so easy – it's a simple switch.

Product data

• General information

Product family code	BN121C [BN121C]
Number of light sources	1 [1 pc]
Lamp family code	LED19S [LED Module, system flux 1900 lm]
Light source color	830 [830 warm white]
Light source replaceable	false [No]
Driver/power unit/transformer	PSU [Power supply unit]
Driver included	true [Yes]
Optical cover/lens type	PC [Polycarbonate]
Dimmable	No [No]
Connection	CE [External connector]
Protection class IEC	CL1 [Safety class I]
Ingress protection code	IP20 [Finger-protected]
Mech. impact protection code	IK02 [0.2 J standard]
Length	L600 [600 mm]
Color	WH [White]
Glow-wire test	850/5 [Temperature 850 °C, duration 5 s]
Flammability mark	F [For mounting on normally flammable surfaces]
CE mark	CE [CE mark]
ENEC mark	No [-]
UL mark	No [-]

• Electrical

Input voltage	220-240 V [220 to 240 V]
Input frequency	50-60 Hz [50 to 60 Hz]

• Mechanical

Housing material	STL [Steel]
Optic material	PC [Polycarbonate]
Optical cover/lens material	PC [Polycarbonate]

• Initial perform. (IEC compliant)

Initial input power	20 W [20 W]
Initial luminous flux	1900 Lm
Initial LED luminaire efficacy	95 Lm/W
Init. Corr. Color Temperature	3000 [3000 K]
Init. Color Rendering Index	>80 [>80]

• Over time perform. (IEC compliant)

Median useful life L90B50	15000 hr
Median useful life L80B50	30000 hr
Median useful life L70B50	50000 hr
Driver failure rate at 5000 h	1 %

• Application conditions

Average ambient temperature	T25 [+25 °C]
Ambient temperature range	0 to +35°C [0 to +35 °C]
Maximum dim level	- [Not applicable]



PHILIPS

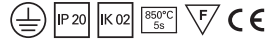
CoreLine Batten

Suitable for random switching Yes [Yes (relates to presence/movement detection and daylight harvesting)]

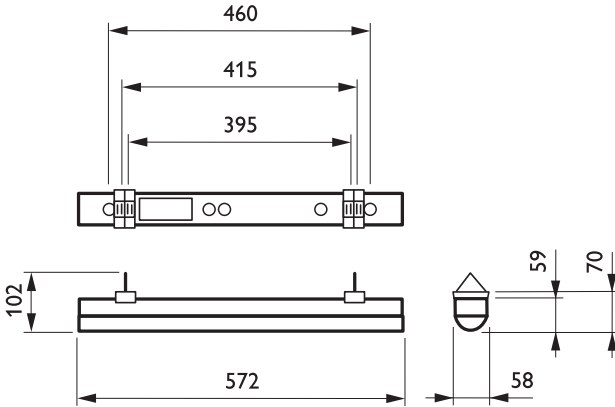
• Product Data

Order code 910503911516
Full product code 910503911516
Full product name BN121C LED19S/830 PSU L600
Order product name BN121C LED19S/830 PSU L600
Pieces per pack 1
Packs per outerbox 4

Bar code on pack - EAN1 8717943899609
Bar code on outerbox - EAN3 8717943899685
Logistic code(s) - 12NC 910503911516
Net weight per piece 0.930 kg



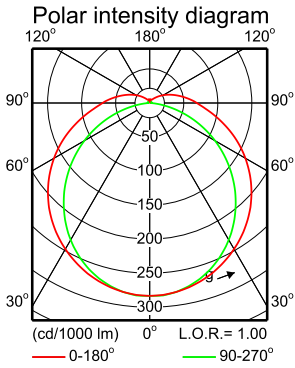
Dimensional drawing





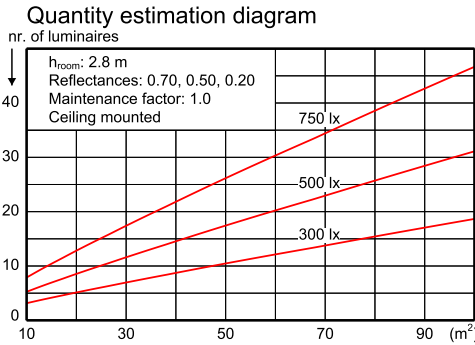
BN121C L600 1xLED19S/830

1 x 1900 lm



Light output ratio 1.00
 Service upward 0.09
 Service downward 0.91
 CIE flux code 42 72 90 91 100
 S/H ratio crosswise max. 1.7
 lengthwise max. 1.6
 UGRcen (4Hx8H, 0.25H) 26
 UTE71-121: 0.91G + 0.09T

LWV1821300

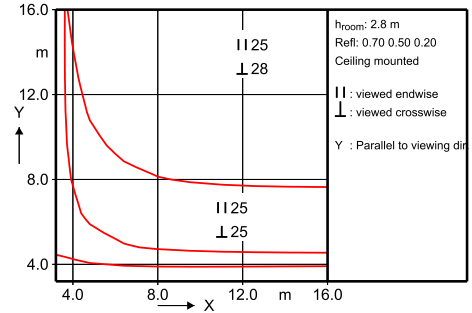


Utilisation factor table

Room Index k	Reflectances for ceiling, walls and working plane (CIE)											
	0.80	0.80	0.70	0.70	0.70	0.70	0.50	0.50	0.30	0.30	0.00	0.00
0.50	0.50	0.50	0.50	0.50	0.50	0.30	0.10	0.30	0.10	0.00	0.00	0.00
0.30	0.10	0.30	0.20	0.10	0.10	0.10	0.10	0.10	0.10	0.00	0.00	0.00
0.60	0.44	0.42	0.43	0.42	0.41	0.34	0.33	0.28	0.32	0.27	0.25	0.25
0.80	0.55	0.51	0.53	0.51	0.50	0.42	0.41	0.36	0.39	0.35	0.32	0.32
1.00	0.63	0.58	0.61	0.59	0.57	0.49	0.48	0.43	0.46	0.41	0.38	0.38
1.25	0.71	0.65	0.69	0.66	0.64	0.56	0.54	0.49	0.52	0.48	0.44	0.44
1.50	0.78	0.70	0.75	0.72	0.69	0.62	0.60	0.55	0.57	0.53	0.49	0.49
2.00	0.87	0.78	0.84	0.80	0.76	0.70	0.67	0.63	0.65	0.61	0.57	0.57
2.50	0.94	0.83	0.90	0.85	0.81	0.76	0.73	0.69	0.70	0.67	0.62	0.62
3.00	0.99	0.86	0.95	0.89	0.84	0.80	0.76	0.73	0.74	0.71	0.66	0.66
4.00	1.05	0.91	1.00	0.94	0.89	0.85	0.81	0.78	0.78	0.76	0.71	0.71
5.00	1.09	0.93	1.04	0.97	0.91	0.88	0.84	0.82	0.81	0.79	0.74	0.74

Ceiling mounted

UGR diagram



Luminance Table

Plane Cone	0.0	45.0	90.0
45.0	12399	12141	14202
50.0	11979	11591	13639
55.0	11556	11016	12991
60.0	11137	10443	12239
65.0	10702	9861	11294
70.0	10259	9286	10087
75.0	9835	8700	8463
80.0	9520	8115	6231
85.0	9401	7650	3299
90.0	9749	7785	694

(cd/m²)

2014-07-31

BN121C L600 1xLED19S/830



© 2015 Koninklijke Philips N.V. (Royal Philips)
 All rights reserved.

Specifications are subject to change without notice. Trademarks are the property of Koninklijke Philips N.V. (Royal Philips) or their respective owners.

www.philips.com/lighting

2015, October 5
 data subject to change