

CoreLine Batten BNI20C

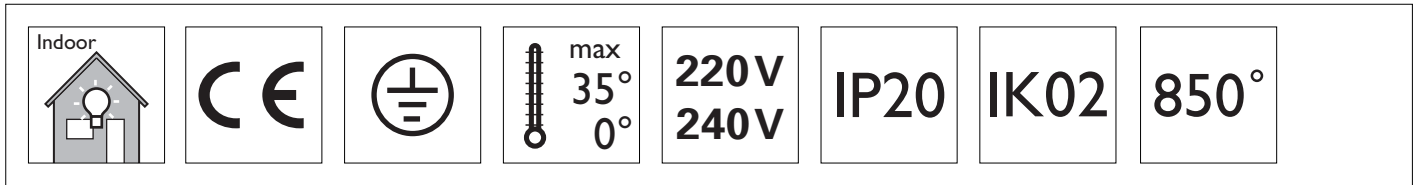
Mounting instructions

Instructions de montage
Montageanleitung
Montage instructie
Istruzioni di montaggio

Instrucciones de montaje
Instruções de montagem
Monteringsinstruktioner
Monteringsvejledning

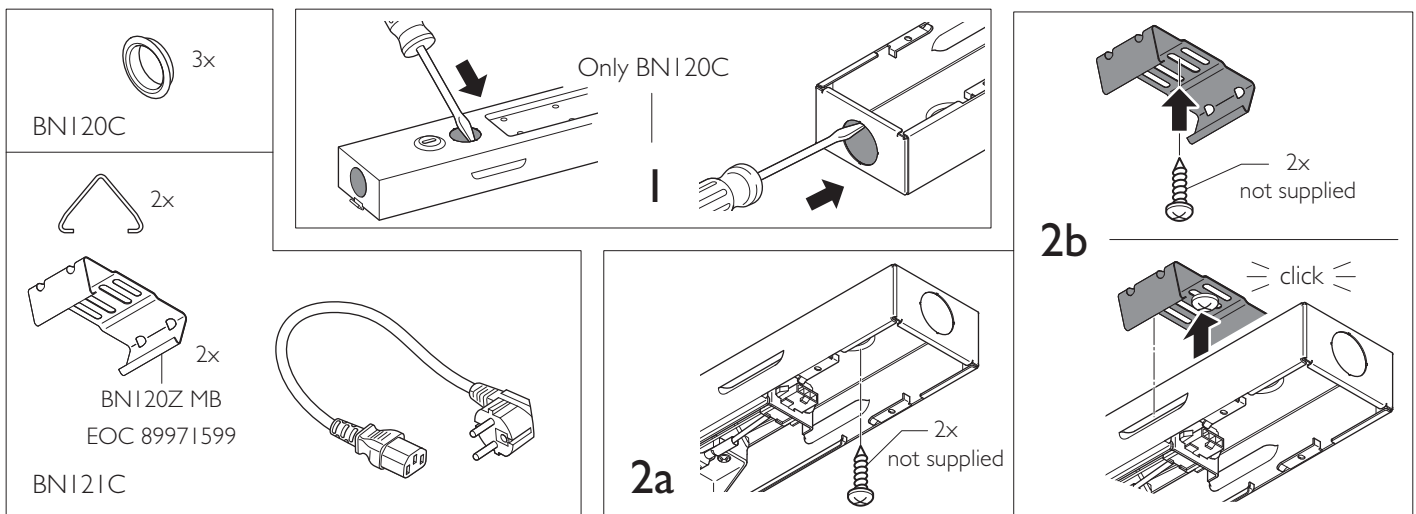
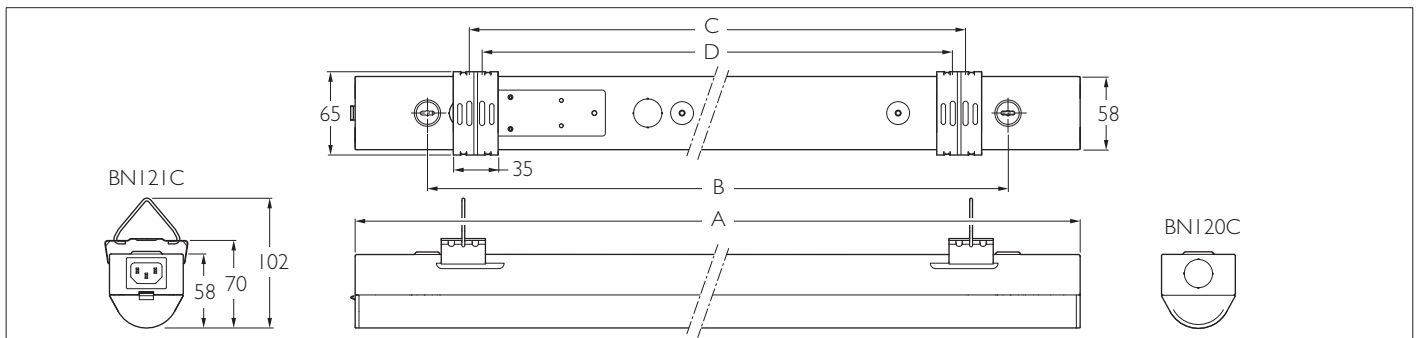
Kokoonpano- ja kiinnitysohjeet
Montaj yönergesi
Οδηγίες Χειρωναμίας
Instrukcja montażu

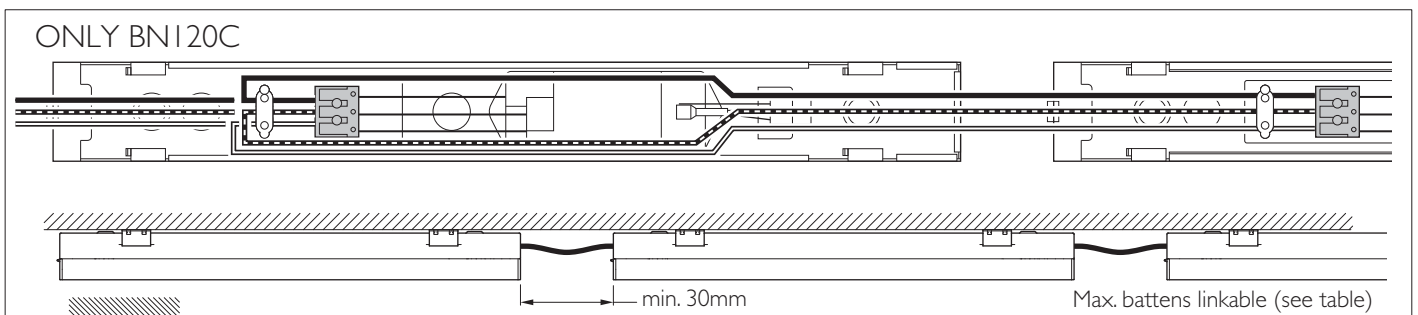
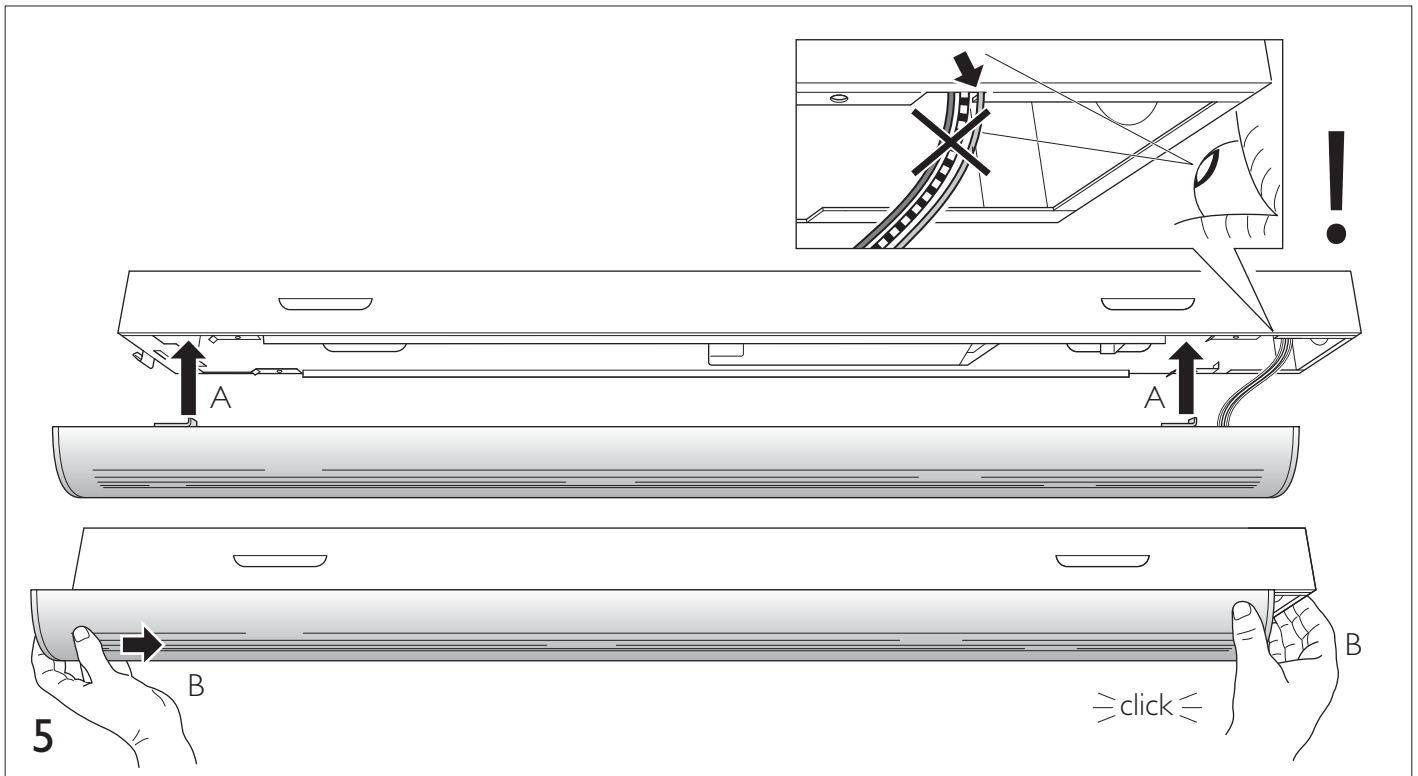
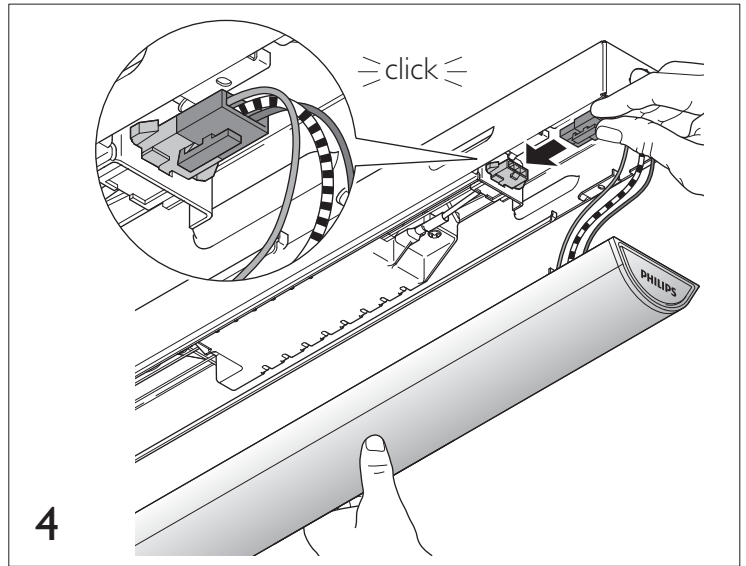
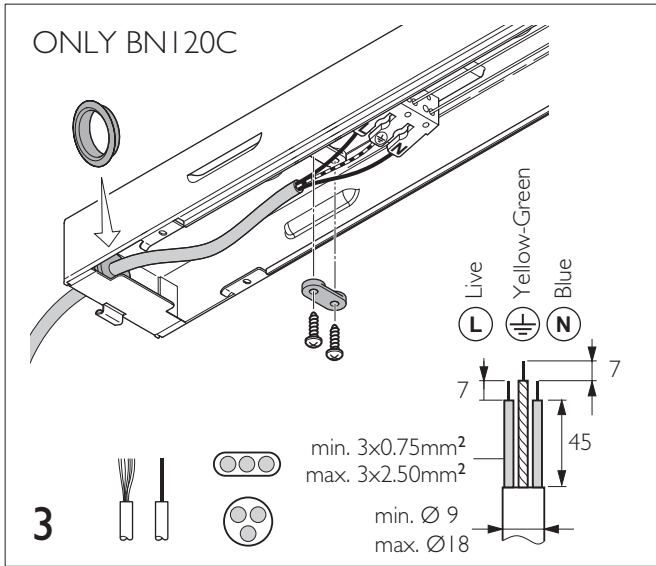
Szerelési utasítások
Návod k montáži
bycnerwbz gj vjynf.e
Návod k montáži



		CCT	A	B	C	D	System lm	Powercable IEC	Bracket	Max. batters linkable ¹ (i.e. cable 1.50mm ²) Main Circuit Breaker BI0A
BNI20C LED19S/840 PSU L600	0.93	4000K	572	460	415	395	1900			66
BNI21C LED19S/840 PSU L600	0.93	4000K	572	460	415	395	1900	●	●	66
BNI20C LED38S/840 PSU L1200	1.71	4000K	1134	984	894	874	3800			15
BNI21C LED38S/840 PSU L1200	1.73	4000K	1134	984	894	874	3800	●	●	15
BNI20C LED19S/830 PSU L600	0.93	3000K	572	460	415	395	1900			66
BNI21C LED19S/830 PSU L600	0.93	3000K	572	460	415	395	1900	●	●	66
BNI20C LED38S/830 PSU L1200	1.71	3000K	1134	984	894	874	3800			15
BNI21C LED38S/830 PSU L1200	1.73	3000K	1134	984	894	874	3800	●	●	15

¹ Maximum number of linkable products depending on wire gauge and main circuit breaker type.
For lower wire gauge maximum number of linkable products will be lower!





ATTENTION
OBSERVE PRECAUTIONS
FOR HANDLING
ELECTROSTATIC
SENSITIVE
DEVICES

There are a few instructions regarding the maintenance of this LED luminaire. This is to assure the lighting quality of this unique LED lighting concept.

- Do not touch electronic components! Electronic components are under high voltage.
- Do not stare into LED light beam.
- The luminaire shall be installed by a qualified electrician and wired in accordance with the latest EEE electrical regulations or the national requirements.

