

CoreLine Batten

BN121C LED38S/840 PSU L1200



BN121C - LED Module, system flux 3800 lm - Power supply unit

Whether for a new building or renovation of an existing space, customers want lighting solutions that provide quality of light and substantial energy and maintenance savings. The new CoreLine Batten range of LED products can be used to replace traditional battens with fluorescent lamps. The process of selecting, installing and maintaining is so easy – it's a simple switch.

Product data

• General information

Product family code	BN121C [BN121C]
Number of light sources	2 [2 pcs]
Lamp family code	LED38S [LED Module, system flux 3800 lm]
Light source color	840 [840 neutral white]
Light source replaceable	false [No]
Driver/power unit/transformer	PSU [Power supply unit]
Driver included	true [Yes]
Optical cover/lens type	PC [Polycarbonate]
Dimmable	No [No]
Connection	CE [External connector]
Protection class IEC	CL1 [Safety class I]
Ingress protection code	IP20 [Finger-protected]
Mech. impact protection code	IK02 [0.2 J standard]
Length	L1200 [1200 mm]
Color	WH [White]
Glow-wire test	850/5 [Temperature 850 °C, duration 5 s]
Flammability mark	F [For mounting on normally flammable surfaces]
CE mark	CE [CE mark]
ENEC mark	No [-]
UL mark	No [-]

• Electrical

Input voltage	220-240 V [220 to 240 V]
Input frequency	50-60 Hz [50 to 60 Hz]

• Mechanical

Housing material	STL [Steel]
Optic material	PC [Polycarbonate]
Optical cover/lens material	PC [Polycarbonate]

• Initial perform. (IEC compliant)

Initial input power	40 W [40 W]
Initial luminous flux	3800 Lm
Initial LED luminaire efficacy	95 Lm/W
Init. Corr. Color Temperature	4000 [4000 K]
Init. Color Rendering Index	>80 [>80]

• Over time perform. (IEC compliant)

Median useful life L90B50	15000 hr
Median useful life L80B50	30000 hr
Median useful life L70B50	50000 hr
Driver failure rate at 5000 h	1 %

• Application conditions

Average ambient temperature	T25 [+25 °C]
Ambient temperature range	0 to +35°C [0 to +35 °C]
Maximum dim level	- [Not applicable]



PHILIPS

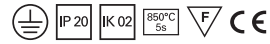
CoreLine Batten

Suitable for random switching Yes [Yes (relates to presence/movement detection and daylight harvesting)]

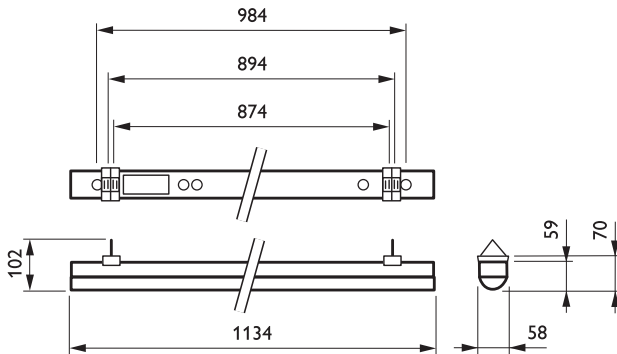
Bar code on pack - EAN1 8717943899586
Bar code on outerbox - EAN3 8717943899661
Logistic code(s) - 12NC 910503911314
Net weight per piece 1.730 kg

• Product Data

Order code 910503911314
Full product code 910503911314
Full product name BN121C LED38S/840 PSU L1200
Order product name BN121C LED38S/840 PSU L1200
Pieces per pack 1
Packs per outerbox 4



Dimensional drawing



BN121C LED38S/840 PSU L1200



© 2015 Koninklijke Philips N.V. (Royal Philips)
All rights reserved.

Specifications are subject to change without notice. Trademarks are the property of Koninklijke Philips N.V. (Royal Philips) or their respective owners.

www.philips.com/lighting

2015, October 5
data subject to change