

# CoreLine Tempo

## BVP120 LED120/NW A

BVP120 - LED module 12,000 lm - Asymmetrical

CoreLine Tempo is the first outdoor solution in the CoreLine range. Designed to replace conventional installations, it offers lower power consumption and requires less investment. A limited range of options makes it easy to find the best lux-for-lux replacement.



## Product data

### • General information

|                              |  |
|------------------------------|--|
| Product family code          | BVP120 [BVP120]                              |
| Number of light sources      | 162 [162 pcs]                                |
| Lamp family code             | LED120 [LED module 12,000 lm]                |
| Light source color           | NW [Neutral white]                           |
| Light source replaceable     | false [No]                                   |
| Number of gear units         | 1 [1 unit]                                   |
| Driver included              | true [Yes]                                   |
| Protection class IEC         | I [Safety class I]                           |
| Ingress protection code      | IP65 [Dust penetration-protected, jet-proof] |
| Mech. impact protection code | IK08 [5 J vandal-protected]                  |
| Optic type                   | A [Asymmetrical]                             |
| Optical cover/lens type      | FG [Glass flat]                              |
| Standard RAL color           | 9007 [Gray aluminum]                         |
| Dimmable                     | No [No]                                      |
| CE mark                      | CE [CE mark]                                 |
| Constant light output        | No [No]                                      |

### • Light technical

|                             |        |
|-----------------------------|--------|
| Standard tilt angle posttop | 0 [0°] |
|-----------------------------|--------|

### • Electrical

|                 |                          |
|-----------------|--------------------------|
| Power factor    | 0.95 -                   |
| Input voltage   | 220-240 V [220 to 240 V] |
| Input frequency | 50-60 Hz [50 to 60 Hz]   |
| Driver current  | 700 mA [700 mA]          |

### • Mechanical

|                             |                    |
|-----------------------------|--------------------|
| Housing material            | ALU [Aluminum]     |
| Optic material              | PC [Polycarbonate] |
| Optical cover/lens material | G [Glass]          |

### • Initial perform. (IEC compliant)

|                               |               |
|-------------------------------|---------------|
| Initial input power           | 120 W [120 W] |
| Initial luminous flux         | 12000 Lm      |
| Init. Corr. Color Temperature | 4000 [4000 K] |

### • Over time perform. (IEC compliant)

|                               |          |
|-------------------------------|----------|
| Useful life L80B10            | 50000 hr |
| Driver failure rate at 5000 h | 0.1 %    |

### • Application conditions

|                             |                              |
|-----------------------------|------------------------------|
| Average ambient temperature | T25 [+25 °C]                 |
| Ambient temperature range   | -20 to +35°C [-20 to +35 °C] |

### • Product Data

|                         |                    |
|-------------------------|--------------------|
| Order code              | 911401649302       |
| Full product code       | 911401649302       |
| Full product name       | BVP120 LED120/NW A |
| Order product name      | BVP120 LED120/NW A |
| Pieces per pack         | 1                  |
| Packs per outerbox      | 1                  |
| Bar code on pack - EAN1 | 8710163295909      |



# PHILIPS

# CoreLine Tempo

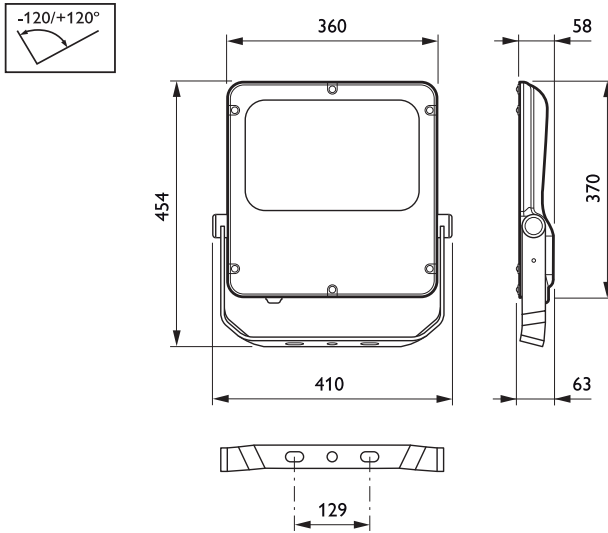
Bar code on  
outerbox - EAN3  
Logistic code(s) -  
12NC

8710163295909  
911401649302

Net weight per piece 6.600 kg



## Dimensional drawing



BVP120 LED120/NW A



© 2015 Koninklijke Philips N.V. (Royal Philips)  
All rights reserved.

Specifications are subject to change without notice. Trademarks are the property of  
Koninklijke Philips N.V. (Royal Philips) or their respective owners.

[www.philips.com/lighting](http://www.philips.com/lighting)

2015, October 5  
data subject to change