

# CoreLine Tempo

## BVP120 LED120/NW S



BVP120 - LED module 12,000 lm - Symmetrical

CoreLine Tempo is the first outdoor solution in the CoreLine range. Designed to replace conventional installations, it offers lower power consumption and requires less investment. A limited range of options makes it easy to find the best lux-for-lux replacement.

## Product data

### • General information

Product family code	BVP120 [BVP120]
Number of light sources	162 [162 pcs]
Lamp family code	LED120 [LED module 12,000 lm]
Light source color	NW [Neutral white]
Light source replaceable	false [No]
Number of gear units	1 [1 unit]
Driver included	true [Yes]
Protection class IEC	I [Safety class I]
Ingress protection code	IP65 [Dust penetration-protected, jet-proof]
Mech. impact protection code	IK08 [5 J vandal-protected]
Optic type	S [Symmetrical]
Optical cover/lens type	FG [Glass flat]
Standard RAL color	9007 [Gray aluminum]
Dimmable	No [No]
CE mark	CE [CE mark]
Constant light output	No [No]

### • Light technical

Standard tilt angle posttop	0 [0°]
-----------------------------	--------

### • Electrical

Power factor	0.95 -
Input voltage	220-240 V [220 to 240 V]
Input frequency	50-60 Hz [50 to 60 Hz]
Driver current	700 mA [700 mA]

### • Mechanical

Housing material	ALU [Aluminum]
Optic material	PC [Polycarbonate]
Optical cover/lens material	G [Glass]

### • Initial perform. (IEC compliant)

Initial input power	120 W [120 W]
Initial luminous flux	12000 Lm
Init. Corr. Color Temperature	4000 [4000 K]

### • Over time perform. (IEC compliant)

Useful life L80B10	50000 hr
Driver failure rate at 5000 h	0.1 %

### • Application conditions

Average ambient temperature	T25 [+25 °C]
Ambient temperature range	-20 to +35°C [-20 to +35 °C]

### • Product Data

Order code	911401649002
Full product code	911401649002
Full product name	BVP120 LED120/NW S
Order product name	BVP120 LED120/NW S
Pieces per pack	1
Packs per outerbox	1
Bar code on pack - EAN1	8710163295879



# PHILIPS

# CoreLine Tempo

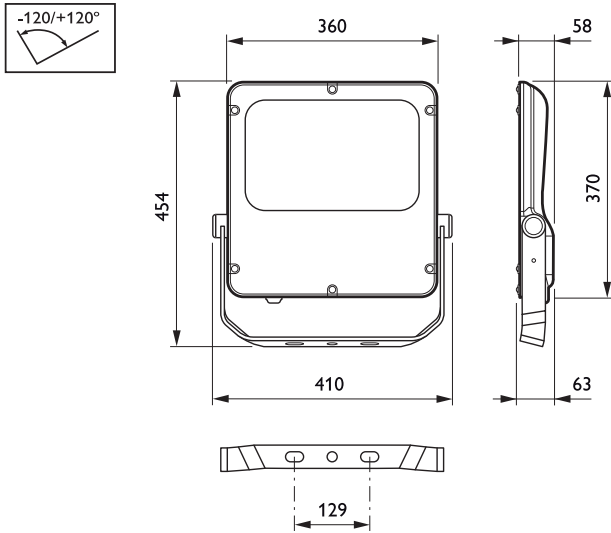
Bar code on  
outerbox - EAN3  
Logistic code(s) -  
12NC

8710163295879  
911401649002

Net weight per piece 6.600 kg



## Dimensional drawing



BVP120 LED120/NW S



© 2015 Koninklijke Philips N.V. (Royal Philips)  
All rights reserved.

Specifications are subject to change without notice. Trademarks are the property of Koninklijke Philips N.V. (Royal Philips) or their respective owners.

[www.philips.com/lighting](http://www.philips.com/lighting)

2015, October 5  
data subject to change