

Philips ClearWay BGP303


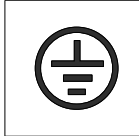
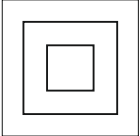


Mounting instruction




Instructions de montage
Montageanleitung
Montage instruktic
Instruzioni di montaggio


Instrucciones de montaje
Instruções de montagem
Monteringsinstruktioner
Monteringsvejledning

Kokoonpano- ja kiinnitysohjeet
Montaj yönergəsi
Návod k montázi
Instrukcja montazu

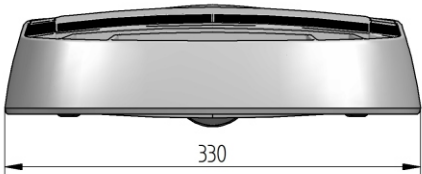
Szerelési utasítások

	LEDs	~220V...240V 50/60Hz					IEC EN60598	
IP66	IK08	Inrush current 120A / 277µs						

				LUMEN FLUX	W	Maximum number of luminaire on MCB 16A
LED18	6,5	-30°C	35°C	1800	15,5	10
LED23	6,5	-30°C	35°C	2300	20,2	10
LED35	6,5	-30°C	35°C	3500	28,7	10
LED49	7	-30°C	35°C	4900	42,2	10
LED73	7	-30°C	35°C	7300	57,6	10
LED98	7	-30°C	35°C	9800	80,1	10
LED122	7	-30°C	25°C	12200	110,2	10

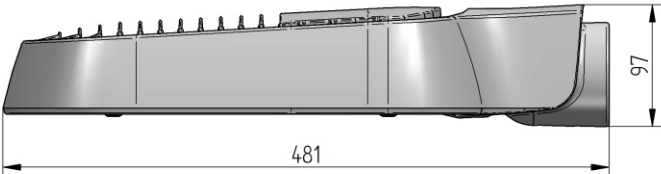


Disconnect before servicing
Mettre hors tension avant intervention
Öffnen nur spannungsfrei
Demonteren voor onderhoud
Togliere tensione prima di fare manutenzione
Desconectar antes de manipular
Bryt strömmen före lampbyte



330

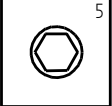
Scx 0,016 m²
max.



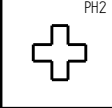
481

97

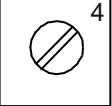
Scx 0,029 m²
max.



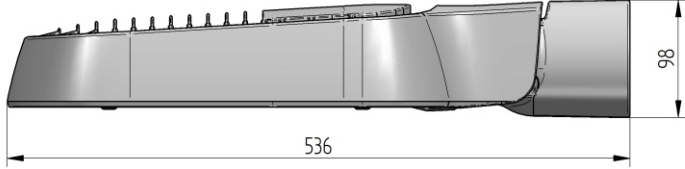
5



PH2

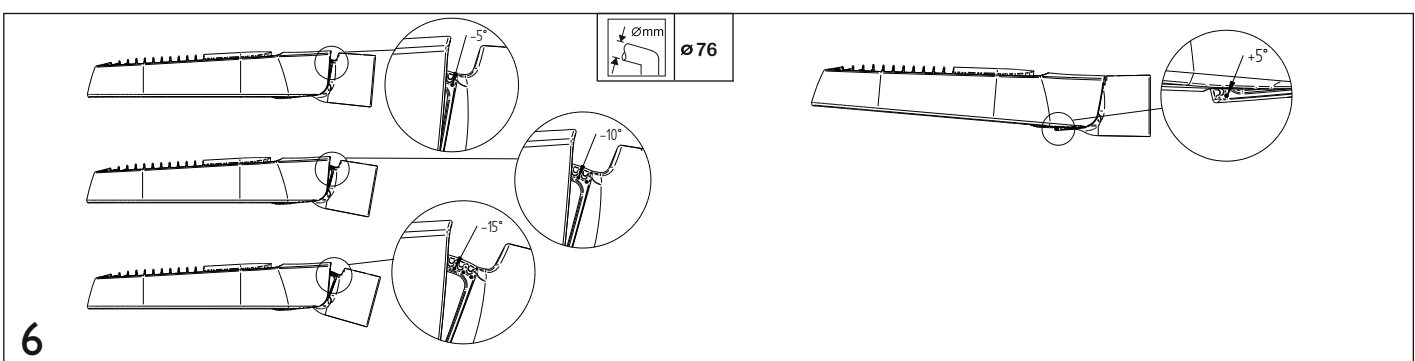
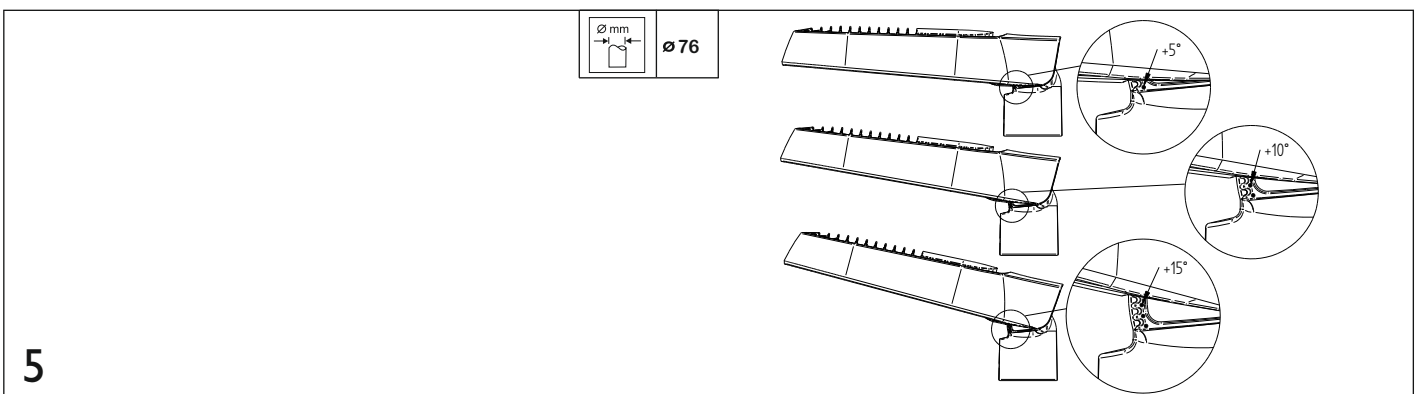
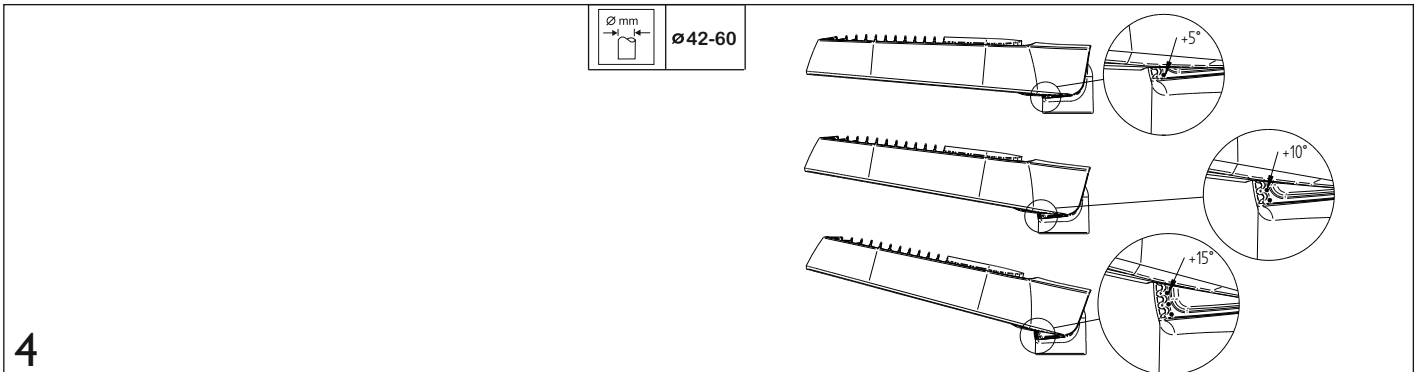
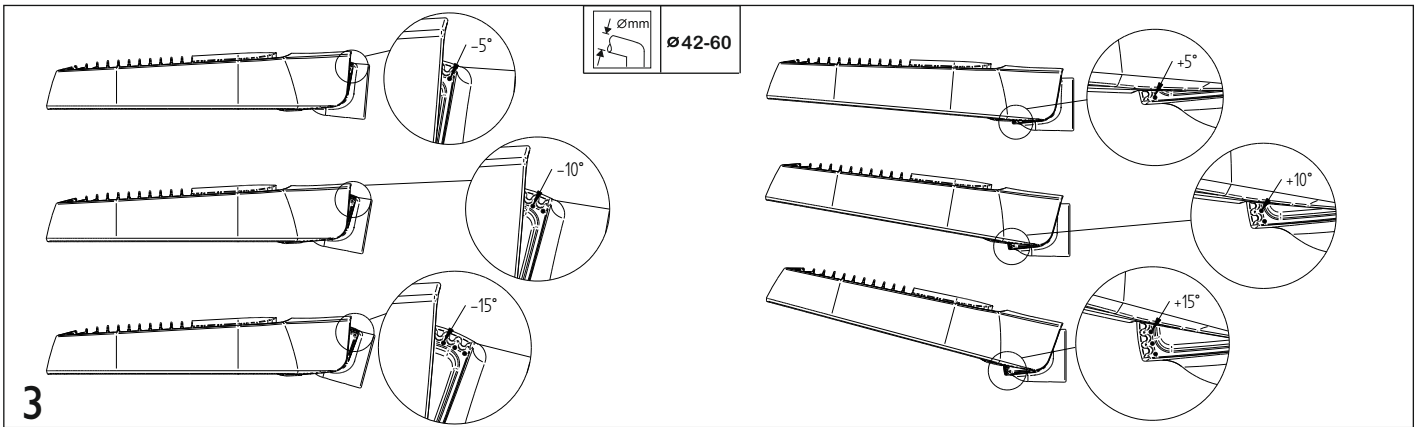
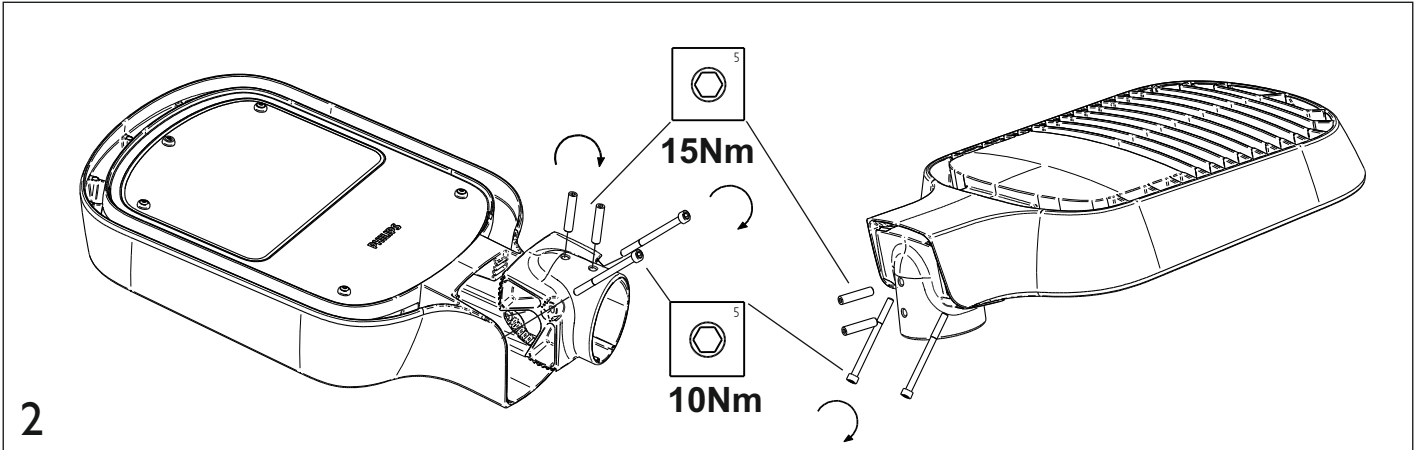


4

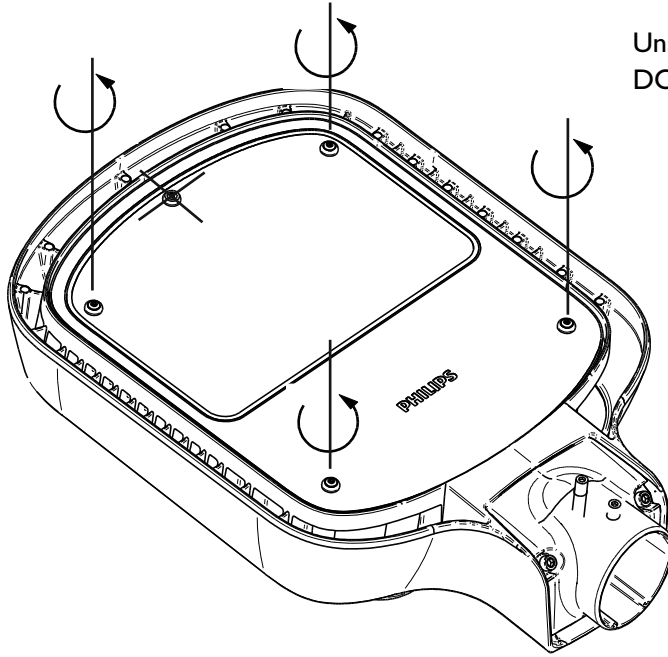


536

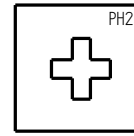
98



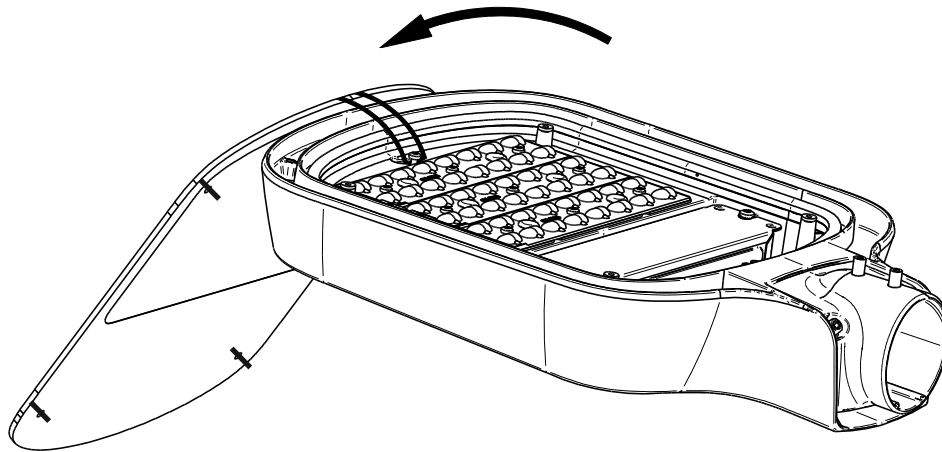
Version without IP connector [C450C2/3/4/5]:



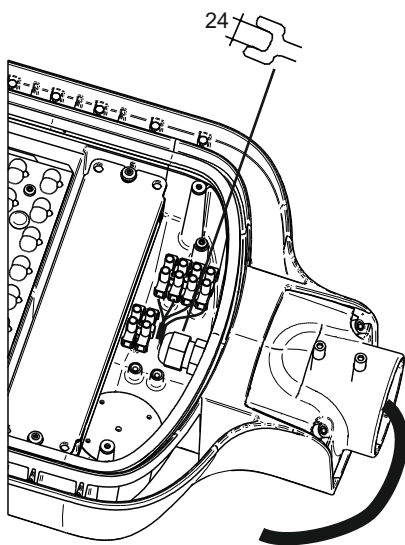
Unscrew only 4 glass fixation screw, but
DO NOT REMOVE THEM!!



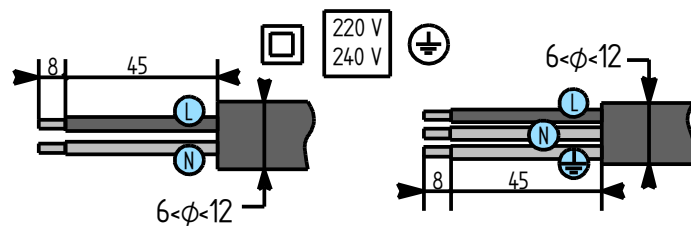
7



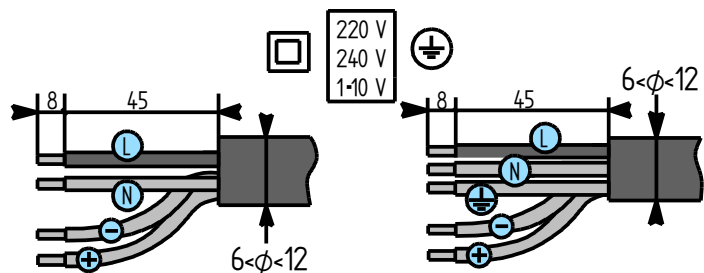
8



9

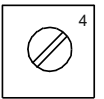


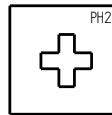
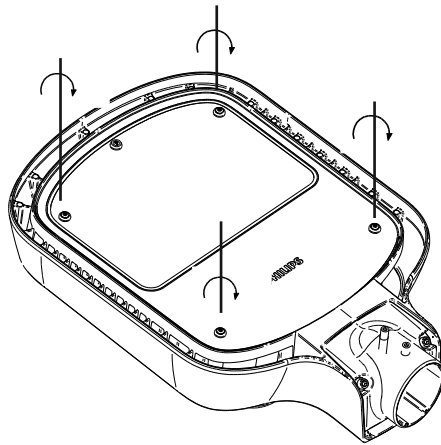
Conductor size 0,5mm² - 2,5mm²



DRIVER WIRE COLOURS:
(1-10V) - GREY [-], VIOLET [+]
(DALI) - VIOLET, VIOLET/WHITE

10



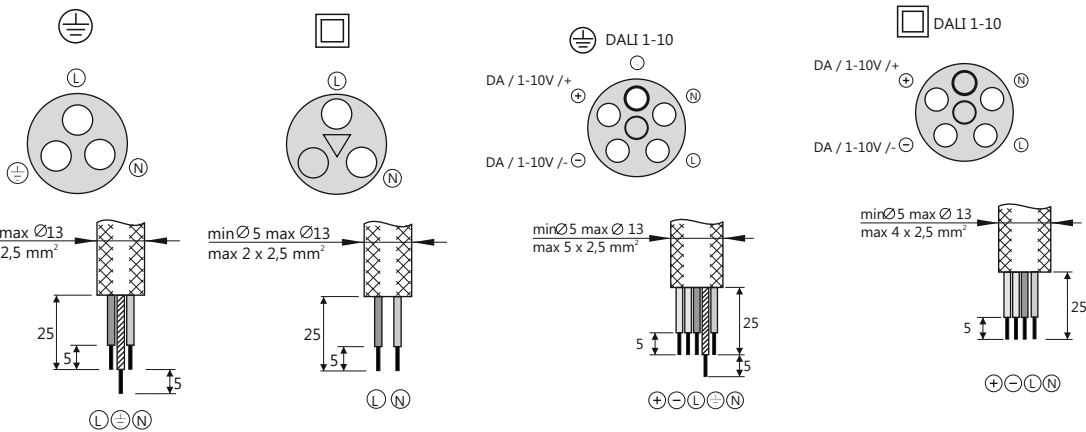
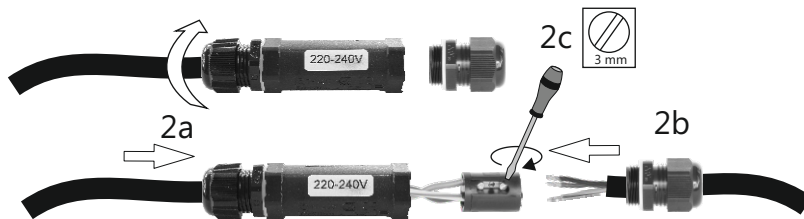


1,5Nm

Before screw in make sure that the gasket is properly installed !!

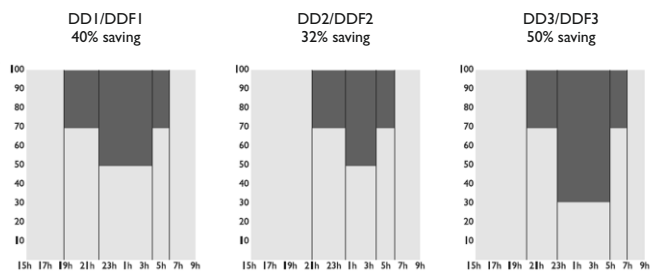
11

Version with IP connector [C450C2/3/4/5]:

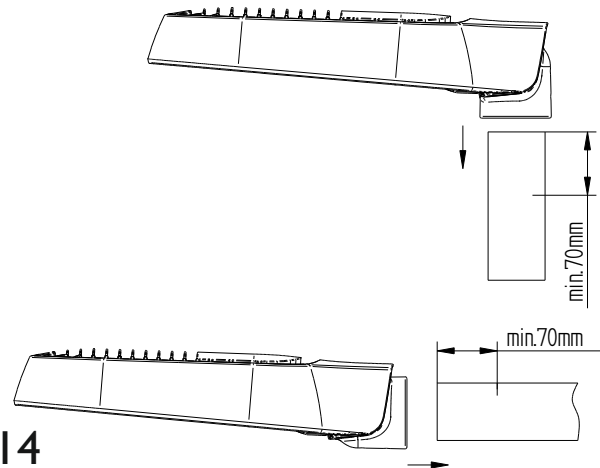


12

DYNADIMMER



13



14