

# CoreLine Projector

ST120T LED8S-24-/830 PSU BK



ST120T - LED Module, system flux 800 lm - Power supply unit

The CoreLine Projector range of luminaires is designed to replace halogen and CDM-standard-based projectors. Their clean lines and attractive TCO help customers to make the switch to LED. These luminaires create a natural lighting effect for use in accent lighting applications. They also deliver instant energy savings and have a much longer lifetime, creating a real value-for-money and environmentally friendly solution. They are easy to install on a standard track or by means of a surface-mount connector.



**PHILIPS**

## Product data

### • General information

Product family code	ST120T [ST120T]
Number of light sources	1 [1 pc]
Lamp family code	LED8S [LED Module, system flux 800 lm]
Beam angle of light source	24 D [24°]
Light source color	830 [830 warm white]
Driver/power unit/transformer	PSU [Power supply unit]
Driver included	true [Yes]
Dimmable	No [No]
Ingress protection code	IP20 [Finger-protected]
Mech. impact protection code	IK02 [0.2 J standard]
Color	BK [Black]
Glow-wire test	650/5 [Temperature 650 °C, duration 5 s]
CE mark	CE [CE mark]

### • Electrical

Input voltage	220-240 V [220 to 240 V]
Input frequency	50-60 Hz [50 to 60 Hz]

### • Mechanical

Housing material	ALU [Aluminum]
Reflector material	PC [Polycarbonate]
Optic material	PC [Polycarbonate]

### • Initial perform. (IEC compliant)

Initial input power	11 W [11 W]
---------------------	-------------

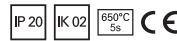
Initial luminous flux	800 Lm
Init. Corr. Color Temperature	3000 [3000 K]
Init. Color Rendering Index	80 [80]

### • Application conditions

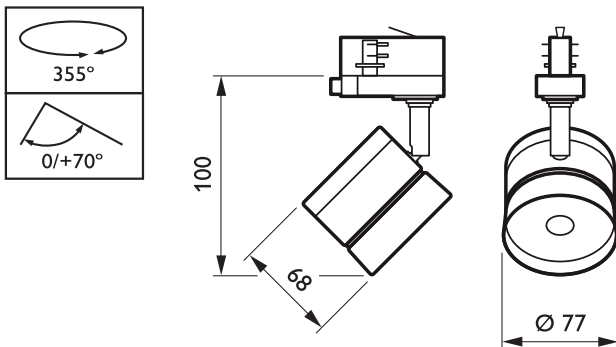
Average ambient temperature	T25 [+25 °C]
Ambient temperature range	0 to +35°C [0 to +35 °C]

### • Product Data

Order code	910503910088
Full product code	910503910088
Full product name	ST120T LED8S-24-/830 PSU BK
Order product name	ST120T LED8S-24-/830 PSU BK
Pieces per pack	1
Packs per outerbox	12
Bar code on pack - EAN1	8718696069424
Bar code on outerbox - EAN3	8718696069509
Logistic code(s) - 12NC	910503910088
Net weight per piece	0.208 kg



## Dimensional drawing



ST120T LED8S-24-/830 PSU BK



© 2015 Koninklijke Philips N.V. (Royal Philips)  
All rights reserved.

Specifications are subject to change without notice. Trademarks are the property of Koninklijke Philips N.V. (Royal Philips) or their respective owners.

[www.philips.com/lighting](http://www.philips.com/lighting)

2015, October 5  
data subject to change