



CorePro LEDspot MV

CorePro LEDspotMV 6.5-65W GU10 830 36D

CorePro LEDspots are a perfect fit for spot lighting and deliver warm halogen-like light. They are compatible with most existing fixtures with a GU10 or E14 holder and are designed as a retrofit replacement for halogen or incandescent spots. LEDlamps deliver huge energy savings and minimize maintenance cost.

Product data

• General Characteristics

| | |
|------------------------|-----------------------|
| Cap-Base | GU10 |
| Bulb | MR16 [MR 16inch/50mm] |
| Bulb Finish | White |
| Rated Lifetime (hours) | 15000 hr |
| Nominal Lifetime hours | 15000 hr |

• Light Technical Characteristics

| | |
|------------------------------|--------------------|
| Color Code | 830 |
| Color Designation (text) | White |
| Beam Angle | 36 D |
| Beam Description | 36D [Medium beam] |
| Correlated Color Temperature | 3000 K |
| Luminous Flux | 500 Lm |
| Luminous Intensity | 1100 cd |
| Color rendering index | 80 |
| Luminous Efficacy Lamp | 71 Lm/W |
| Color Temperature | 3000 K [CCT 3000K] |
| Rated Luminous Flux | 500 Lm |
| LLMF - end nominal lifetime | 70 % |
| Colour consistency | 6 steps |
| Rated Beam Angle | 50 D |
| Luminous flux in 90° cone | 460 Lm |

• Electrical Characteristics

| | |
|-------------------|-------|
| Wattage | 6.5 W |
| Wattage Technical | 6.5 W |

| | |
|--------------------------------|--------------------|
| Voltage | 220-240 V |
| Line Frequency | 50-60 Hz |
| Power Factor | 0.5 - |
| Lamp Current mA | 53 mA |
| Dimmable | No |
| Wattage Equivalent | 65 W |
| Rated Wattage | 6.5 W |
| Starting Time | 0.5 (max) s |
| Warm-up Time to 60% Light Outp | instant full light |
| Suitable for accent lighting | Yes |

• Environmental characteristics

| | |
|-------------------------------|-------|
| Energy Efficiency Label (EEL) | A+ |
| Energy consumption kWh/1000h | 7 kWh |

• Measuring Conditions

| | |
|-----------------|--------|
| Switching cycle | 50000X |
|-----------------|--------|

• Product Dimensions

| | |
|------------------|-------|
| Overall Length C | 55 mm |
| Diameter D | 50 mm |

• Product Data

| | |
|--------------------|--|
| Order code | 929001165502 |
| Full product code | 929001165502 |
| Full product name | CorePro LEDspotMV 6.5-65W GU10 830 36D |
| Order product name | CorePro LEDspotMV 6.5-65W GU10 830 36D |



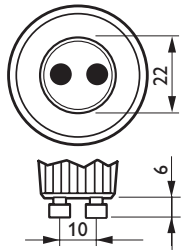
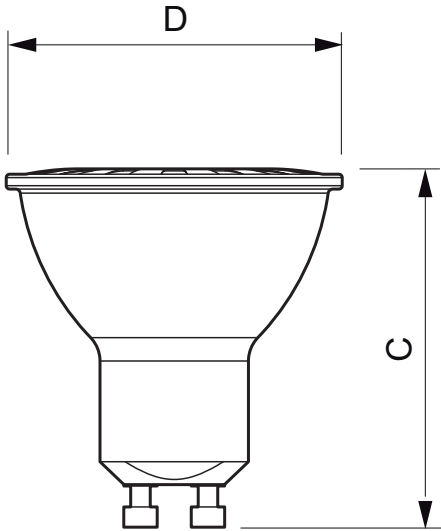
PHILIPS

CorePro LEDspot MV

Pieces per pack 1
Packing configuration 10
Packs per outerbox 10
Bar code on pack - EAN1 8718696498231

Bar code on outerbox - EAN3 8718696498248
Logistic code(s) - 12NC 929001165502
Net weight per piece 0.038 kg

Dimensional drawing

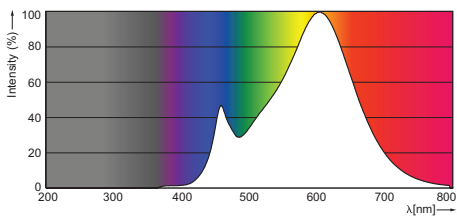


GU10

CorePro LEDspotMV 6.5-65W GU10 830 36D

| Product | C (Norm) | C1 (Max) | D (Norm) | D1 (Norm) |
|--------------------------|----------|----------|----------|-----------|
| LED 6.5-65W GU10 830 36D | 55 | - | 50 | - |

Photometric data



6.5-65W GU10 MR16 /830



© 2015 Koninklijke Philips N.V. (Royal Philips)
All rights reserved.

Specifications are subject to change without notice. Trademarks are the property of Koninklijke Philips N.V. (Royal Philips) or their respective owners.

www.philips.com/lighting

2015, August 29
data subject to change