



MASTER LEDspot LV

MASTER LEDspotLV D 7-35W 840 MR16 36D

Delivering a warm, halogen-like accent beam, MASTER LEDspot LV is an ideal retrofit solution for spot and general lighting applications in the hospitality industry. It is particularly suited to public areas such as receptions, lobbies, corridors, stairwells and washrooms, where the light is on all the time. The robustly designed MASTER LEDspot offers a choice of beam angles for a clearly defined beam spread. There is no UV or IR in the beam, making it suitable for illuminating heat-sensitive objects (food, organic materials, paintings, etc.). The patented intelligent driver enables broad compatibility with existing electromagnetic and electronic halogen transformers. The dimmable versions drive further efficiencies, while helping to create the desired atmosphere.

Product data

• General Characteristics

Cap-Base	GU5.3
Bulb	MR16 [MR 16inch/50mm]
Rated Lifetime (hours)	40000 hr
Nominal Lifetime hours	40000 hr

• Light Technical Characteristics

Color Code	840
Color Designation (text)	Cool White
Beam Angle	36 D
Beam Description	36D [Medium beam]
Correlated Color Temperature	4000 K
Luminous Flux	460 Lm
Luminous Intensity	1250 cd
Color rendering index	80
Luminous Efficacy Lamp	61.00 Lm/W
Color Temperature	4000 K [CCT 4000K]
Rated Luminous Flux	460 Lm
LLMF - end nominal lifetime	70 %
Colour consistency	6 steps
Rated Beam Angle	36 D
Luminous flux in 90° cone	425 Lm

• Electrical Characteristics

Wattage	7 W
Wattage Technical	7 W
Voltage	12 V

Power Factor	0.7 -
Lamp Current mA	720 mA
Dimmable	Yes
Wattage Equivalent	35 W
Rated Wattage	7.0 W
Starting Time	0.5 (max) s
Warm-up Time to 60% Light Outp	instant full light
Suitable for accent lighting	Yes

• Temperature Characteristics

T-case maximum	102 (max) C
----------------	-------------

• Environmental characteristics

Energy Efficiency Label (EEL)	A
Energy consumption kWh/1000h	8 kWh

• Measuring Conditions

Switching cycle	50000X
-----------------	--------

• Product Dimensions

Overall Length C	50.5 mm
Diameter D	50.5 mm

• Product Data

Order code	929001153302
Full product code	929001153302
Full product name	MASTER LEDspotLV D 7-35W 840 MR16 36D



PHILIPS

MASTER LEDspot LV

Order product name MAS LEDspotLV D 7-35W 840 MR16
36D
Pieces per pack 1
Packing configuration 10
Packs per outerbox 10
Bar code on pack - EAN1 8718696489437

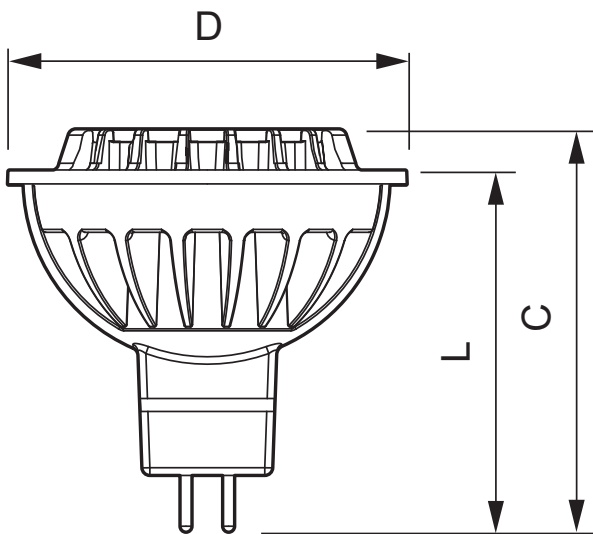
Bar code on outerbox - EAN3 8718696489444
Logistic code(s) - 12NC 929001153302
Net weight per piece 0.045 kg

Warnings and Safety

- Operating temperature range is between -20° C and 45° C ambient

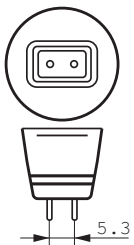
- Only to apply in dry or damp locations and most of open fixtures with lamp-holders that offer sufficient space (10 mm free air space)
- Not intended for use with emergency light fixtures or exit lights

Dimensional drawing



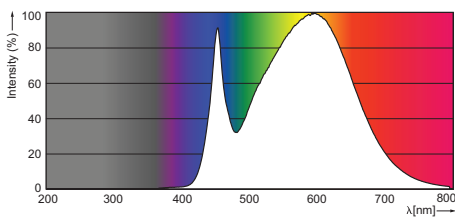
MASTER LEDspotLV D 7-35W 840 MR16 36D

Product	C (Norm)	D (Norm)
LED D 7-35W 840 MR16 36D	50.5	50.5



GU5.3

Photometric data



7-35 W GU5.3 /840 MR16



© 2015 Koninklijke Philips N.V. (Royal Philips)
All rights reserved.

Specifications are subject to change without notice. Trademarks are the property of
Koninklijke Philips N.V. (Royal Philips) or their respective owners.

www.philips.com/lighting

2015, August 29
data subject to change