



## CorePro LEDluster

CorePro lustre ND 5.5-40W E14 840 P45 FR

The frosted CorePro LEDluster is designed for retrofit replacement of incandescent lamps. It is compatible with fixtures with an E27 or E14 holder. LEDlamps deliver huge energy savings and minimize maintenance cost.

**PHILIPS**

## Product data

### • General Information

Cap-Base	E14 [ E14]
Nominal Lifetime (Nom)	15000 h
Switching Cycle	50000X
Technical Type	5.5-40W

### • Light Technical

Color Code	840 [ CCT of 4000K (841)]
Luminous Flux (Nom)	520 lm
Luminous Flux (Rated) (Nom)	520 lm
Color Designation	White (WH)
Correlated Color Temperature (Nom)	4000 K
Luminous Efficacy (rated) (Nom)	94.5 lm/W
Color Consistency	6 steps
Color Rendering Index (Nom)	80
Lmf At End Of Nominal Lifetime (Nom)	70 %

### • Operating and Electrical

Input Frequency	50-60 Hz
Power (Rated) (Nom)	5.5 W
Lamp Current (Nom)	50 mA
Wattage Equivalent	40 W
Starting Time (Max)	0.5 s
Warm Up Time To 60% Light (Nom)	instant full light

Power Factor (Nom)	0.5
Voltage (Nom)	220-240 V

### • Temperature

T-Case Maximum (Nom)	80 °C
----------------------	-------

### • Controls and Dimming

Dimmable	No
----------	----

### • Mechanical and Housing

Bulb Finish	Frosted
-------------	---------

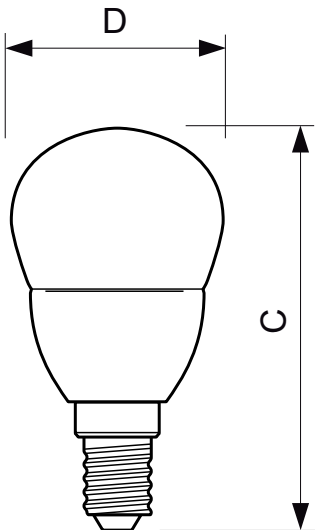
### • Approval and Application

Suitable For Accent Lighting	No
Energy Efficiency Label (EEL)	A+

### • Product Data

Full product code	871869654360300
Order product name	CorePro lustre ND 5.5-40W E14 840 P45 FR
EAN/UPC - Product	8718696543603
Order code	929001205902
Numerator - Quantity Per Pack	1
Numerator - Packs per outer box	10
Material Nr. (12NC)	929001205902
Net Weight (Piece)	0.040 kg

## Dimensional drawing

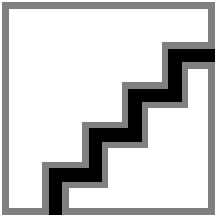


E14 P45

### LED ND 5.5-40W E14 840 P45 FR

Product	D	C
CorePro lustre ND 5.5-40W E14 840 P45 FR	45 mm	88 mm

Dimensional drawing



© 2016 Koninklijke Philips N.V. (Royal Philips)  
All rights reserved.

Specifications are subject to change without notice. Trademarks are the property of  
Koninklijke Philips N.V. (Royal Philips) or their respective owners.

[www.philips.com/lighting](http://www.philips.com/lighting)

2016, January 7  
data subject to change