



CorePro LED PLC

CorePro LED PLC 6.5W 830 4P G24q-2

The Philips CorePro LED PLC integrates a LED light source into a traditional fluorescent form factor. This product is the ideal solution for uplampping in general lighting applications: it meets basic lighting requirements, offers significant energy savings, and is environmentally friendly.

Product data

• General Information

Cap-Base	G24Q-2 [G24q-2]
Main Application	Industrial
Nominal Lifetime (Nom)	30000 h
Switching Cycle	50000X
B50L70	30000

• Light Technical

Color Code	830 [CCT of 3000K]
Beam Angle (Nom)	120 °
Luminous Flux (Rated) (Nom)	600 lm
Rated Beam Angle	120 °
Correlated Color Temperature (Nom)	3000 K
Color Consistency	6 steps
Color Rendering Index (Nom)	83
LLMF At End Of Nominal Lifetime (Nom)	70 %

• Operating and Electrical

Input Frequency	30000-80000 Hz
Power (Rated) (Nom)	6.5 W
Starting Time (Max)	0.5 s
Warm Up Time To 60% Light (Nom)	instant full light
Power Factor (Min)	0.8
Voltage (Nom)	20-50 V

• Temperature

T-Ambient (Max)	35 °C
T-Ambient (Min)	-20 °C
T-Storage (Max)	65 °C
T-Storage (Min)	-40 °C
T-Case Maximum (Nom)	65 °C

• Controls and Dimming

Dimmable	No
----------	----

• Mechanical and Housing

Product Length	100 mm
----------------	--------

• Approval and Application

Energy Saving Product	Yes
Suitable For Accent Lighting	No
Energy Efficiency Label (EEL)	A+
Approval Marks	CE marking RoHS compliance KEMA Keur certificate
Energy Consumption kWh/1000 h	9 kWh

• Product Data

Full product code	871869654119700
Order product name	CorePro LED PLC 6.5W 830 4P G24q-2
EAN/UPC - Product Order code	8718696541197 929001201002

PHILIPS

CorePro LED PLC

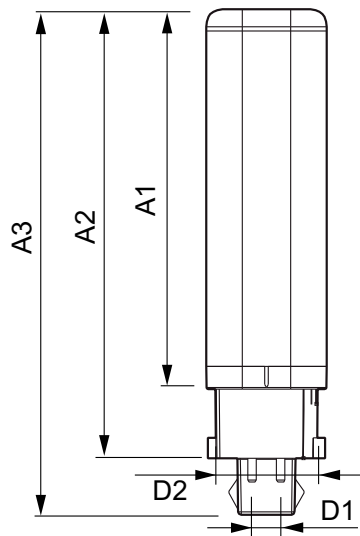
Numerator - Quantity Per Pack 1
Numerator - Packs per outer box 10

Material Nr. (12NC) 929001201002
Net Weight (Piece) 0.078 kg

Warnings and Safety

- **NOTES:** The overall energy efficiency and light distribution of any installation that uses these lamps are determined by the design of the installation.

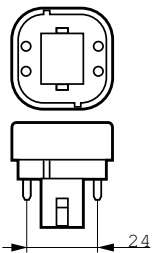
Dimensional drawing



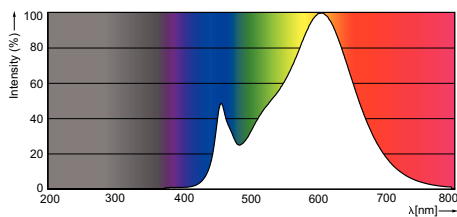
G24q-2, 4P

LEDtube PLC 6.5W G24q-2/830 4P

Product	D1	D2	A1	A2	A3
CorePro LED PLC 6.5W 830 4P G24q-2	24.3 mm	28.4 mm	105.3 mm	124.5 mm	140.1 mm



Photometric data





© 2016 Philips Lighting Holding B.V.
All rights reserved.

Specifications are subject to change without notice. Trademarks are the property of Koninklijke Philips N.V. (Royal Philips) or their respective owners.

www.philips.com/lighting

2016, July 12
data subject to change