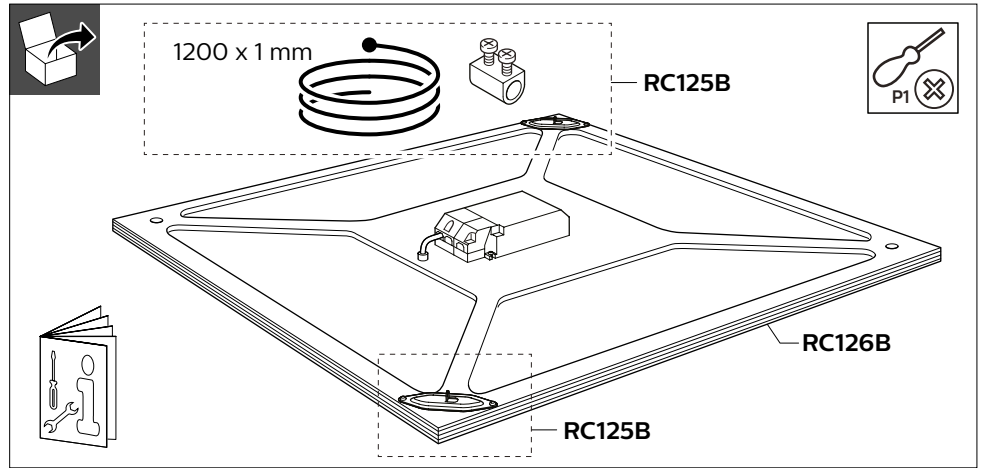


PHILIPS

CoreLine Panel NOC

RC125B/RC126B



220V
240V

50Hz
60Hz



LEDs

IP20



Ta
25°C

Max.
40°C
Min.
10°C

GLOW
WIRE
650°C



	Driver	P (W)	L x W x H (mm)	Lumen (lm)	CCT (K)	IK02	kg
RC125B	PSU	41	597 x 597 x 42.5	3400	3000 4000	•	4.1
RC126B	PSU	41	622 x 622 x 42.5	3400	3000 4000	•	4.3

