

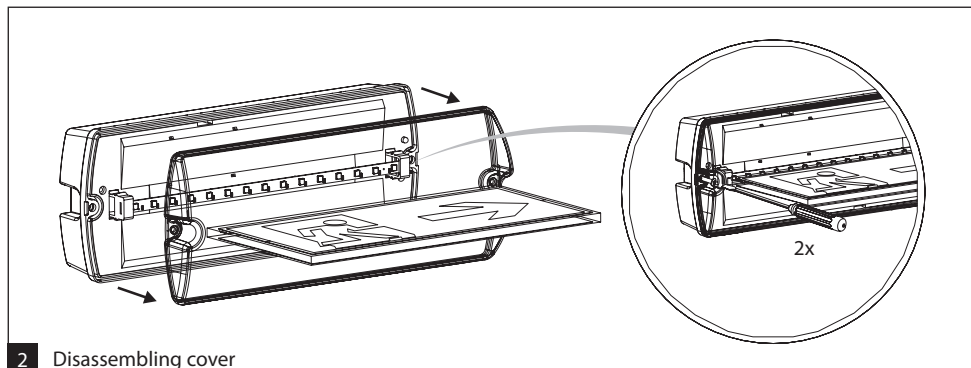
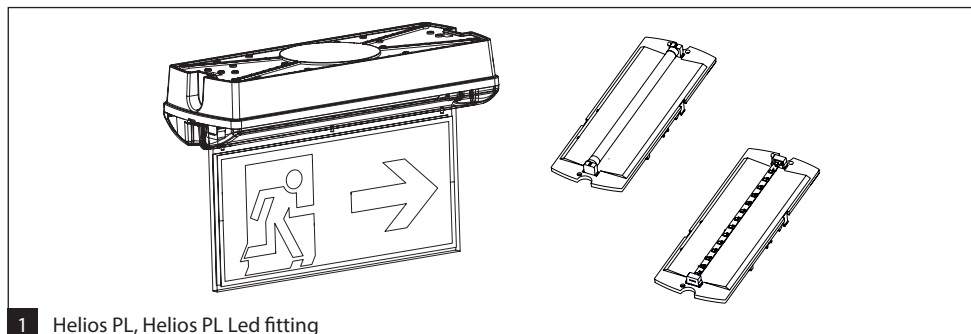
Recommendations for use:

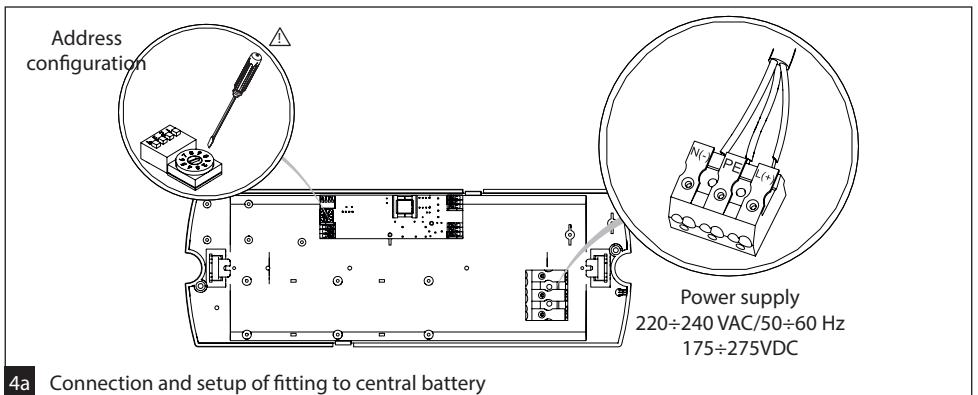
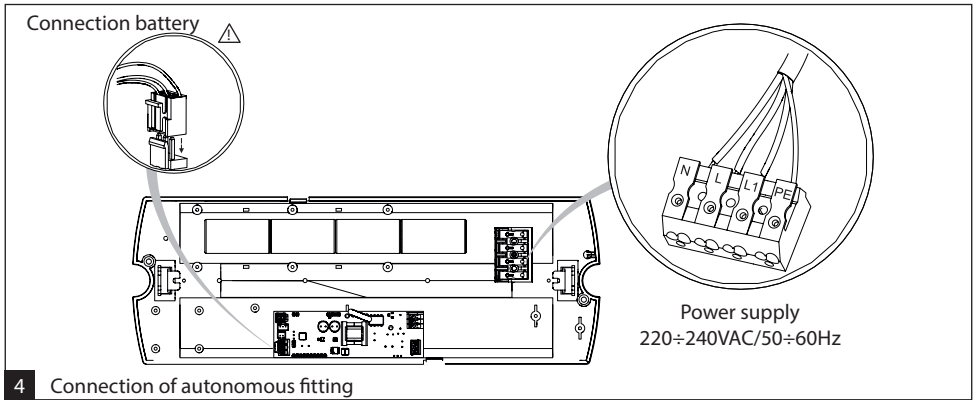
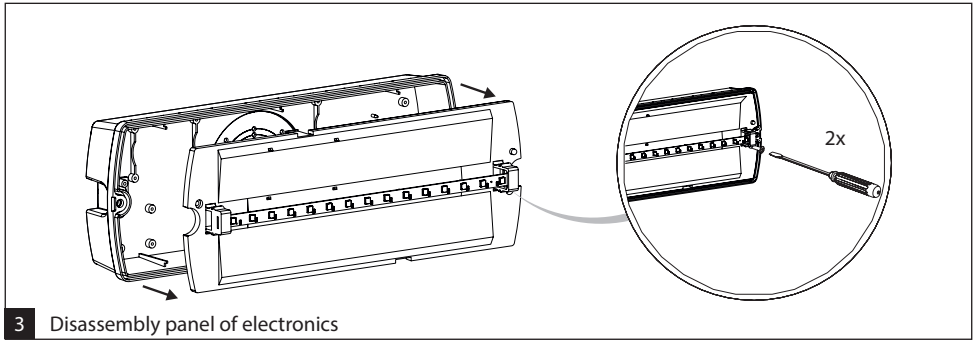
The following rules must be observed to ensure the correct and reliable operation of the fitting:

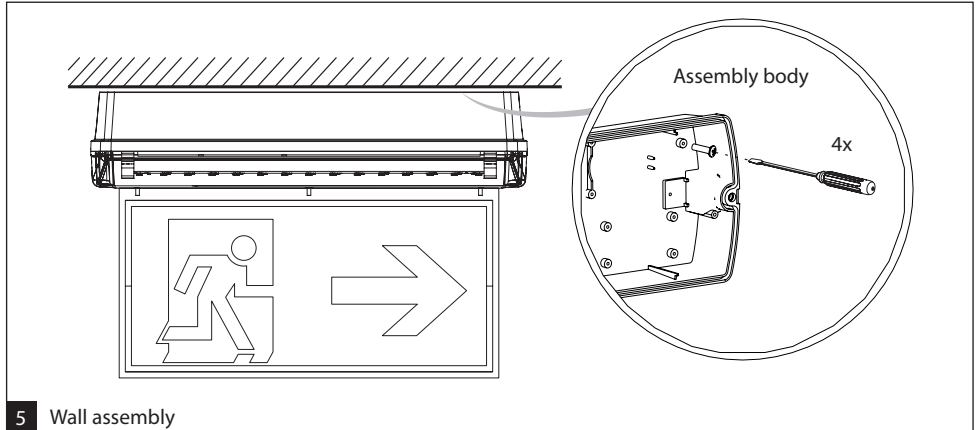
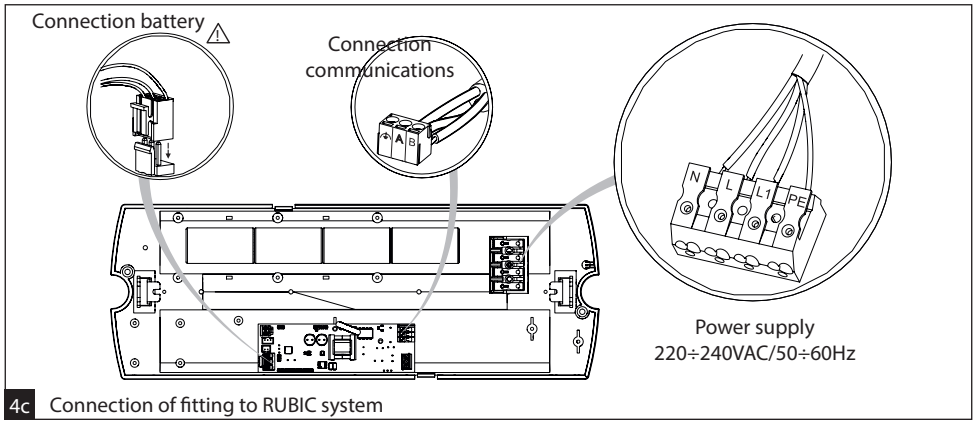
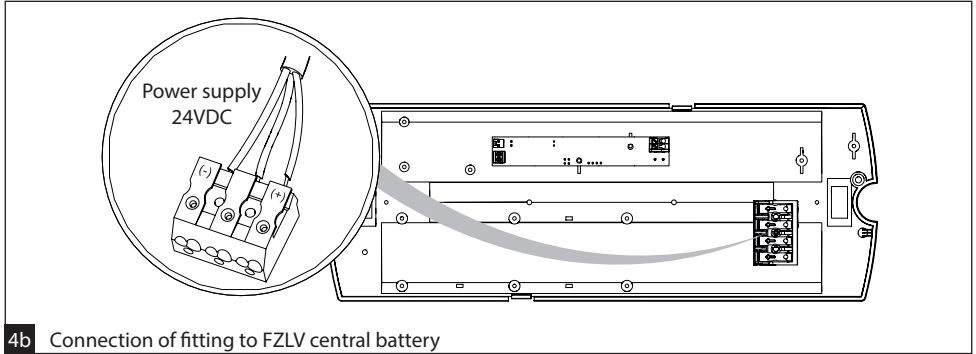
- Battery packs must be compatible with emergency modules
- Installation of fitting should be made by appropriate person which is authorized for such works
- After installation of fitting, the formatting of battery must be made while continuous charging for a period of 24 hours and fully discharging it through lighting
- Three full formatting cycles must be performed to achieve maximum battery capacity
- Technical inspection of the fitting and, in particular, of the battery must be performed once a year
- It is important to maintain temperature parameters for battery packs, i.e. from 0 to + 55°C
- It is forbidden to make any changes in electronic system design
- If the fitting does not withstand its rated operation time, the battery must be renewed
- It is recommended by the manufacturer to renew the battery every 4 years
- The fitting is equipped with a replaceable light source
- Rated luminous flux in emergency mode amounts to: fluorescent lamp: 20%; LED: 100%

Testing the fitting:

It is possible to test the fitting using test button placed in the housing (option). At the time when the supply voltage is connected to the fitting, the green LED lights up indicating the emergence of voltage in the electronic system and thus the battery charging. By pressing the button, the test of fitting is activated through an open circuit, and by this the decay of mains voltage is simulated and the switching over by electronic system to the emergency operation mode is caused. During emergency operation, the LED is no longer lit, the fitting is powered from the battery. When the button is released, the mains voltage returns and the fitting is operated in mains mode, charging process is started.









Producer's guidelines related to installation procedure:

- in a fitting the cable L and L1 is required to the maintained mode (SA), the non maintained mode (SE) does not require L1 cable
- during the battery connection, pay attention to proper polarisation „+“ and „-“
- during the communication cables connection, pay attention to isolation of the cable's shield which can lead to a short circuit of the others communication lines
- CBS fitting address cannot be doubled in a single circuit
- during connection to the FZLV system, keep the proper polarisation „+“, „-“
- the drawing enclosed in this instruction may be vary than in the finished products, to a proper connection follow the instruction enclosed in the label attached on a fitting

A record of monthly checks

Type:		Installation date:				Installation place:					
Month	Test	1.year		2.year		3.year		4.year		5.year	
		date	signature	date	signature	date	signature	date	signature	date	signature
1											
2	function										
3	function										
4	function										
5	function										
6	function										
7	function										
8	function										
9	function										
10	function										
11	function										
12	function										

EN Installation can only be carried out by an authorized person and according to the mounting instructions. Any other installation is considered to be improper. For well installation and good luminaire work is necessary ensure a planarity of a mounting surface. Make sure that the luminaire is always disconnected from the power supply before the installation work. Do not use the luminaire if damaged or if damaged the power cable. Only damp microfber cloth can be used for cleaning. Technical changes are subjected without notice. Do not dispose the luminaire or its parts as household waste, but make the proper recycling.