

Downlight

The LEDINAIRE DN010 Downlight is an affordable, professional LED luminaire, built with high quality components.

Features

- 1000 lm & 2000 lm output
- 3000 K & 4000 K versions

Benefits

- Energy efficient, professional luminaire for general lighting applications
- Choice of 2 sizes
- Diffused comfortable light
- High quality components

Applications

- Corridors
- Restroom
- Circulation areas



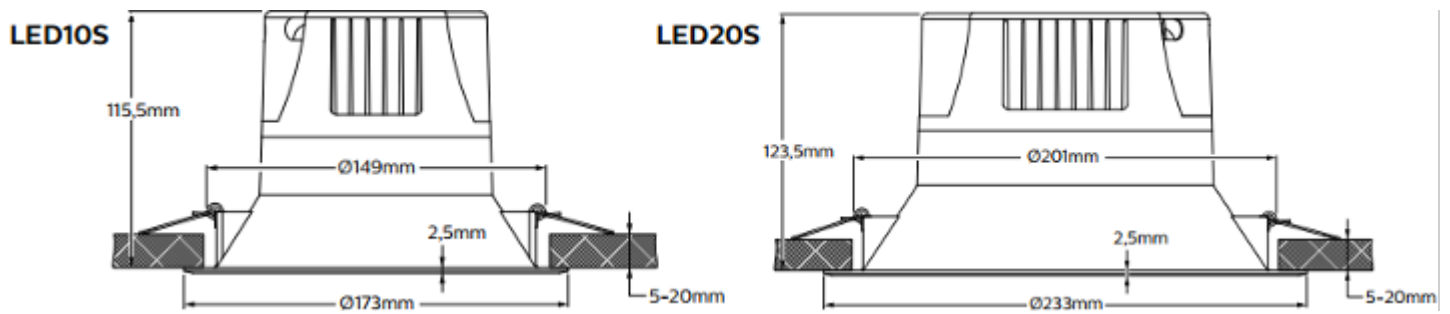
Product description	Light output (lm)	Power (W)	Efficacy	CCT (K)	Weight	EOC
LEDINAIRE DN010B LED10S/830 PSU WH	1000	15	73	3000	0.358	29859799
LEDINAIRE DN010B LED10S/840 PSU WH	1000	15	73	4000	0.358	29860399
LEDINAIRE DN010B LED20S/830 PSU WH	2000	24	83	3000	0.595	29861099
LEDINAIRE DN010B LED20S/840 PSU WH	2000	24	83	4000	0.595	29862799

Operating temperature range	Through wiring	Glow wire	Dimming	CRI	Safety class	Electrical connection	Input frequency	Optical material
0 - 40	yes	650	no	> 80	CL I	Push-in with pull-relief	50-60 Hz	0 - 40

IK	Colour consistency	IP	PF	Housing colour	Lumen maintenance	Voltage	Housing material
IK 02	5	IP 20	0.9	WHITE (RAL9016)	25,000	220-240	Polycarbonate

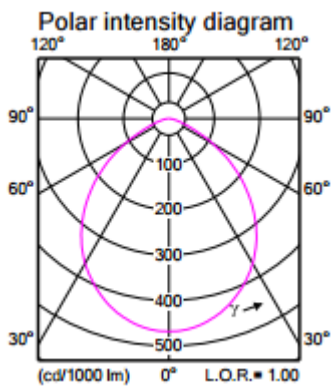
Dimensions

LEDINAIRE DN010B LED10S / LED20S



Photometric data

LEDINAIRE DOWNLIGHT DN010B 1xLED10S/840 PSU



Energy efficiency label

